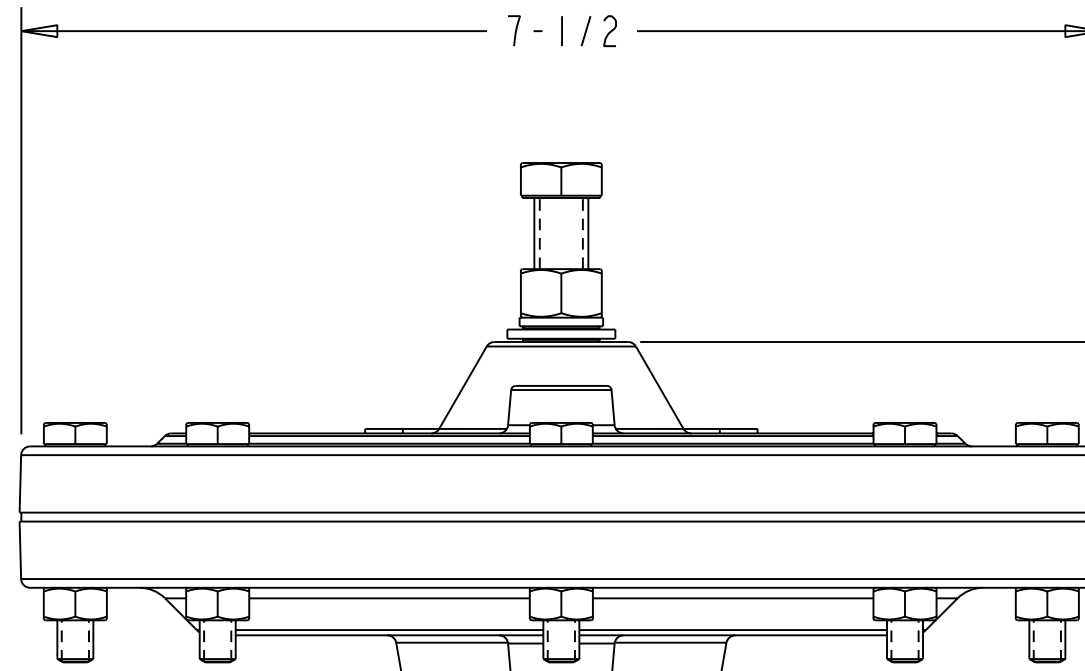
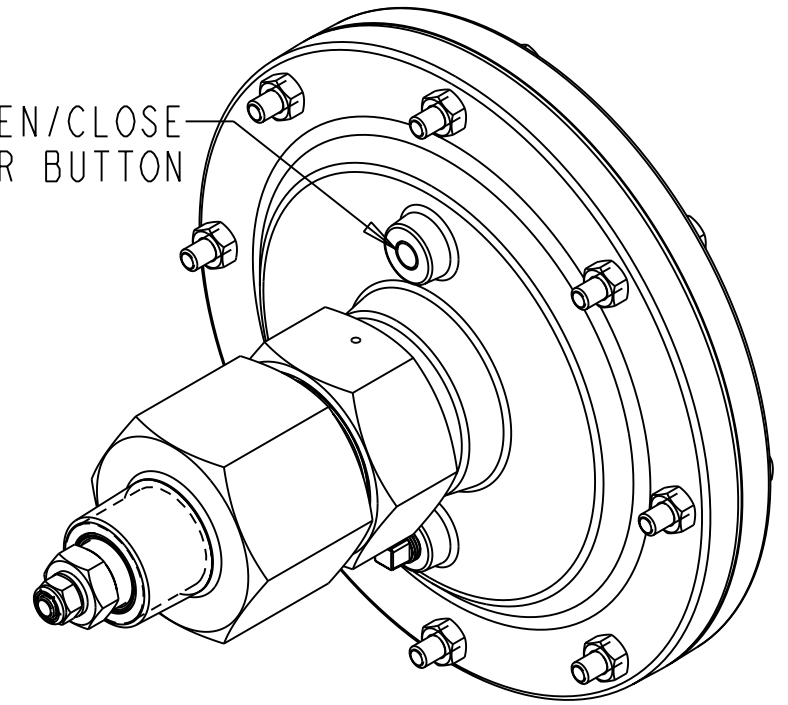


1/8"-27 NPT
PRESSURE INLET PORT



7-1/2

OPEN/CLOSE
INDICATOR BUTTON



KDV-P18-1-05

VENT PLUG

CONNECTION UNION

DRAIN
1/2"-14 NPT

PROCESS CONNECTION
1"-11 1/2 NPT

7.67

2.85

1.85

PRESSURE RATING: 1800 PSI
 MAXIMUM VALVE RELEASE PRESSURE: 45 PSI
 OPERATING TEMPERATURE: -30 TO 250°F
 INTERNAL WETTED PARTS: 303 STAINLESS STEEL
 TRIM PLUG SEAL: HIGH PERFORMANCE POLYURETHANE
 BODY: ELECTROLESS NICKEL PLATED CARBON STEEL

A	2/27/08 N/A	BRC PMM		RELEASED
REV.	DATE	DRN.		DESCRIPTION
	ECN	CHKD.		
PROPRIETARY: THIS DRAWING AND THE INFORMATION CONTAINED HEREIN IS PROPRIETARY TO KENCO ENGINEERING CO. AND SHALL NOT BE REPRODUCED, COPIED, OR DISCLOSED IN WHOLE OR IN PART, OR USED FOR MANUFACTURE OR FOR ANY OTHER PURPOSE WITHOUT THE WRITTEN PERMISSION OF KENCO ENGINEERING.				

DIM'S IN INCHES TOLERANCES UNLESS OTHERWISE SPECIFIED.	
ANGULAR	±1/2°
FRACTIONAL	±1/64"
(X.X)	±0.015"
(X.XX)	±0.010"
(X.XXX)	±0.005"
MACH FILLET RAD: .031"	
125 MAX. FINISH, ALL MACHINED SURFACES.	

KENCO ENGINEERING Tulsa, Oklahoma USA		MATERIAL:	SEE B/M
		RELEASE LEVEL:	RELEASED
		DRAWING CREATED IN PRO/ENGINEER	
TITLE: VALVE, DUMP KDV-P18-1-05			
DRN. BY:	BRC	SCALE:	N/A
CHKD. BY:	PMM	REVISION:	A
DATE:	03-06-08	SHEET 1 OF 3	DRAWING NUMBER 51888