

Model K512 / K512-TB Parts Kits

Kit 1: K512 / K512-TB All Working Parts Kit

Order #RK-K512

Order #RK-K512-TB

Consists of:

- 1-Cover Plate Assembly As Shown Above
- 1-Cover Plate Gasket
- 4-Mounting Screws
- 1-Vent Plug

Kit 2: Switch Kit

Order #MS-K512

Consists of:

- 1-Insulator Bushing
- 1-Set screw
- 2-Hexagon Nuts
- 1-Ring Terminal

Kit 3: Switch Float Kit

Order #MF-K512

Consists of:

- 1-Float Assembly With Seal
- 1-Clevis Pin
- 1-Hitch Pin Clip

Kit 4A: K512 Gasket / Seal Kit

Order #GS-K512

Consists of:

- 1-Cover Plate Gasket Set
- 1-Sight Window O-Ring Seal
- 1-Oil Inlet Float Seal

Kit 4B: K512-TB Gasket / Seal Kit

Order #GS-K512-TB

Consists of:

- 1-Cover Plate Gasket Set
- 1-Sight Window O-Ring Seal
- 1-Oil Inlet Float Seal
- 1-Test Button O-Ring Seal

Kit 5: Oil Inlet Housing Kit

Order #OI-K512

Consists of:

- 1-Oil Inlet Screen
- 1-Screen Retainer Ring

Kit 6: Sight Window Kit

Order #GL-K512

Order #GL-K512-GW

Consists of:

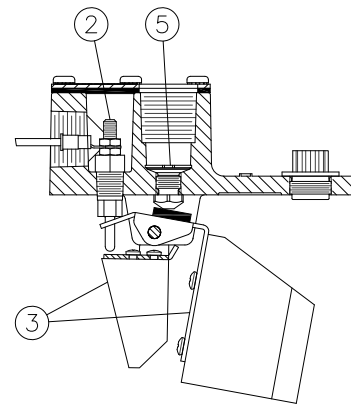
- 1-Sight Window
- 1-Sight Window O-Ring Seal
- 4-Mounting Screws

Kit 7: K512-TB Test Button Kit

Order #TB-K512

Consists of:

- 1-Complete Test Button Assembly



Model K512HL / K512HL-TB Parts Kits

Kit 1: K512HL / K512HL-TB All Working Parts Kit

Order #RK-K512HL

Order #RK-K512HL-TB

Consists of:

- 1-Cover Plate Assembly As Shown Above
- 1-Cover Plate Gasket
- 4-Mounting Screws
- 1-Vent Plug

Kit 2: Switch Kit

Order #MS-K512HL

Consists of:

- 1-Insulator Bushing
- 1-Switch Contact
- 2-Hexagon Nuts
- 1-Ring Terminal
- 1-Insulator Washer

Kit 3: Switch Float Kit

Order #MF-K512HL

Consists of:

- 1-Float Assembly (Low Level) With Seal
- 1-Float Assembly (High Level)
- 1-Clevis Pin
- 2-E-Rings

Kit 4A: K512HL Gasket / Seal Kit

Order #GS-K512

Consists of:

- 1-Cover Plate Gasket Set
- 1-Sight Window O-Ring Seal
- 1-Oil Inlet Float Seal

Kit 4B: K512HL-TB Gasket / Seal Kit

Order #GS-K512-TB

Consists of:

- 1-Cover Plate Gasket Set
- 1-Sight Window O-Ring Seal
- 1-Oil Inlet Float Seal
- 1-Test Button O-Ring Seal

Kit 5: Oil Inlet Housing Kit

Order #OI-K512

Consists of:

- 1-Oil Inlet Screen
- 1-Screen Retainer Ring

Kit 6: Sight Window Kit

Order #GL-K512

Order #GL-K512-GW

Consists of:

- 1-Sight Window
- 1-Sight Window O-Ring Seal
- 4-Mounting Screws

Kit 7: K512HL-TB Test Button Kit

Order #TB-K512

Consists of:

- 1-Complete Test Button Assembly