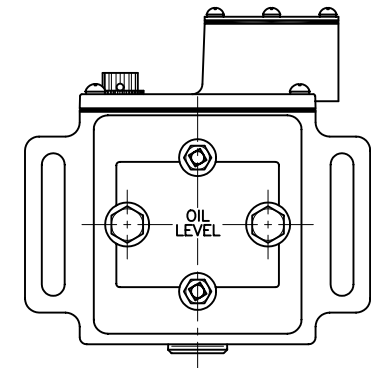
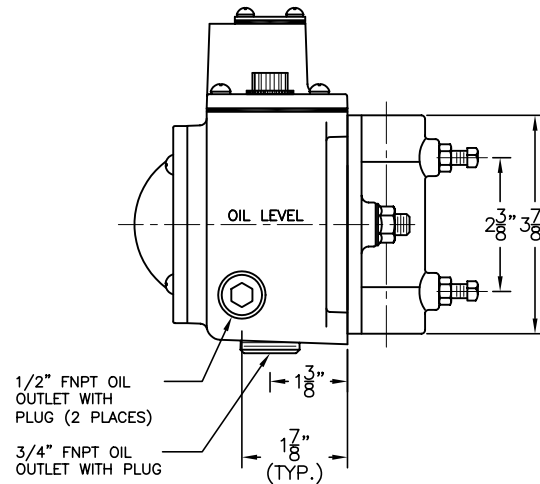
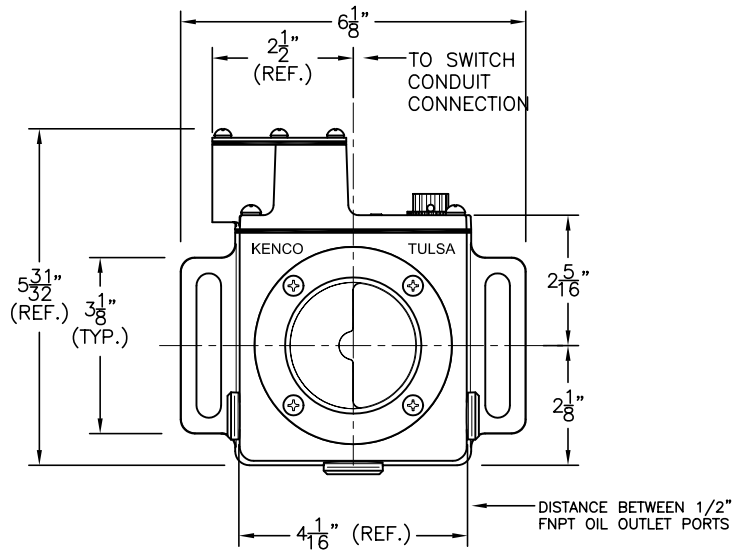
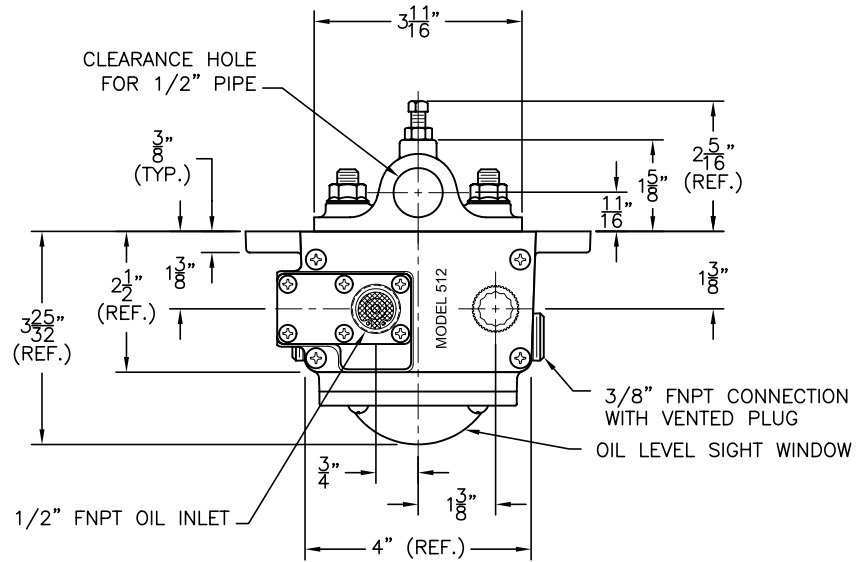


# MODEL 512-12



DIMENSION ARE FOR REFERENCE PURPOSES ONLY AND ARE SUBJECT TO CHANGE AT ANY TIME WITHOUT NOTICE.  
 COPYRIGHT © 2003 KENCO INTERNATIONAL, INC. ALL RIGHTS RESERVED

REV.	DATE	BY	ECN	EXPLANATION:

KENCO ENGINEERING COMPANY TULSA, OKLAHOMA			
CONTROLLER, OIL LEVEL WITH MOUNT (OUTLINE DRAWING) MODEL 512-12			
DATE: 02-04-03	SHEET: 1 OF 1	DRAWING NUMBER	
DRN. BY: DS	CHKD. BY:	C-43512	
SCALE: NONE	REVISION:		