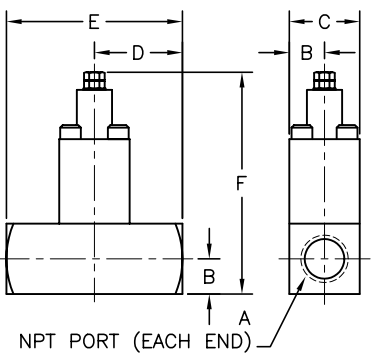
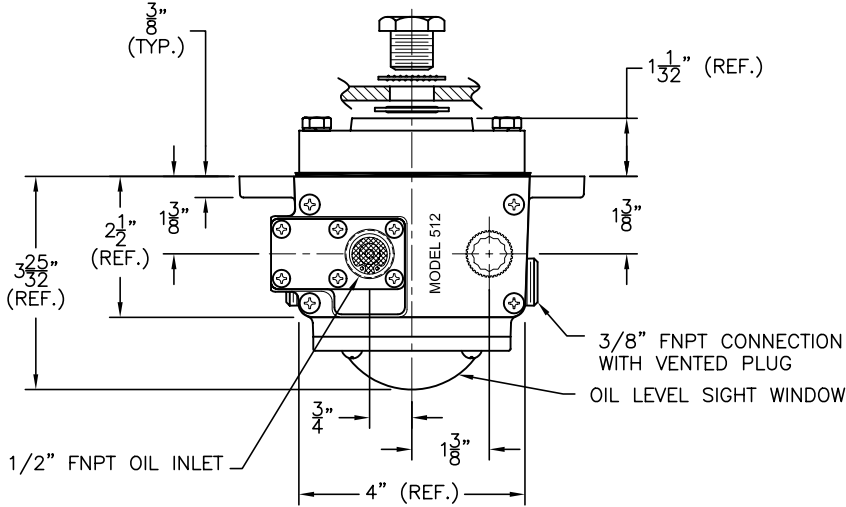
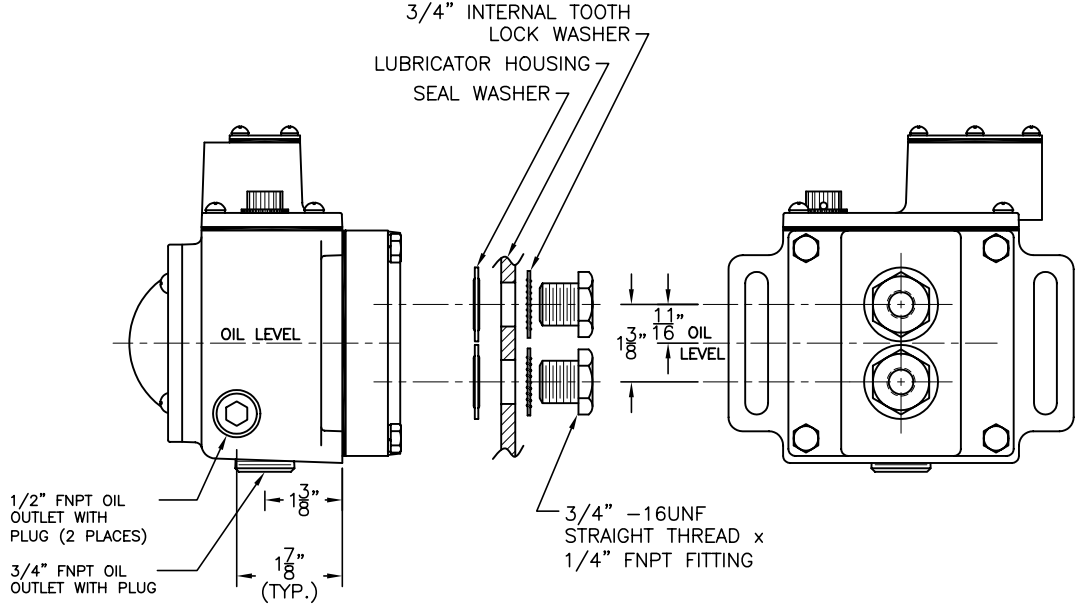
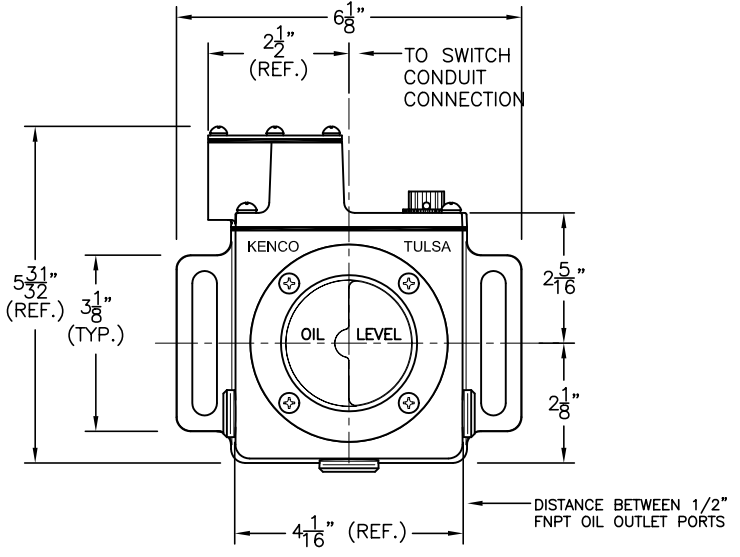


# MODEL 512-11-FS



## FIRE SAFE VALVE

- MODEL 50-FS:  
 A-1/2" NPT  
 B-5/8"  
 C-1-1/4"  
 D-1-9/16"  
 E-3-1/8"  
 F-3-15/16"



DIMENSION ARE FOR REFERENCE PURPOSES ONLY AND ARE SUBJECT TO CHANGE AT ANY TIME WITHOUT NOTICE.  
 COPYRIGHT © 2003 KENCO INTERNATIONAL, INC. ALL RIGHTS RESERVED

REV.	DATE	BY	ECN	EXPLANATION:	KENCO ENGINEERING COMPANY TULSA, OKLAHOMA
					DATE: 02-04-03 SHEET: 1 OF 1 DRAWING NUMBER
					DRN. BY: DS CHKD. BY: C-43517
					SCALE: NONE REVISION: