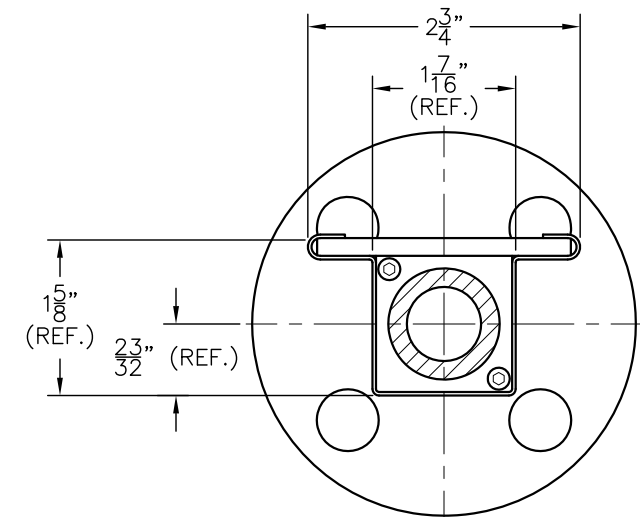
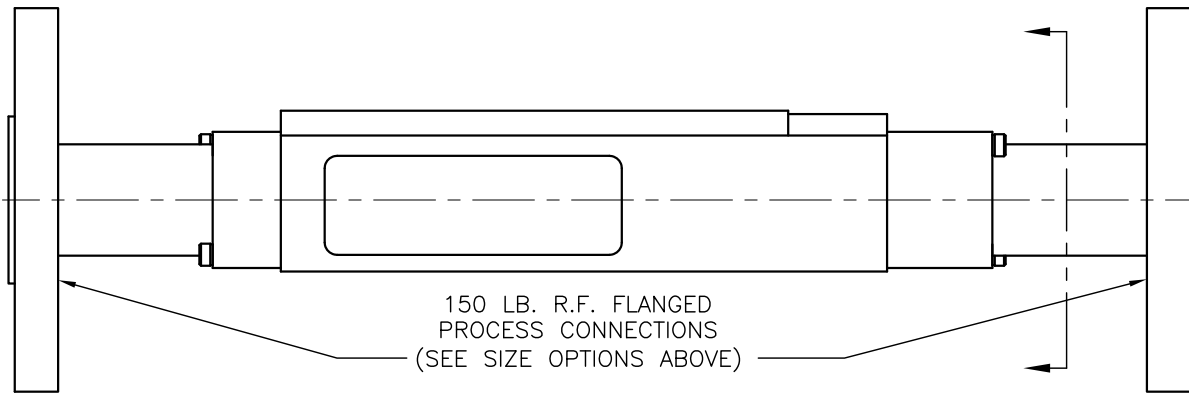


WETTED MATERIALS:

- ZINC PLATED C.S. OR 316L S.S. PROCESS CONNECTIONS
- SIGHT TUBE
- SIGHT TUBE O-RING SEALS
- SIGHT TUBE SPLICER BODY (IF APPLICABLE)
- TEFLON CUSHION IN LOW PRESSURE SIGHT TUBE SPLICER (IF APPLICABLE)

\*GAUGE FRAME LENGTH NOTE:

FRAME LENGTHS GREATER THAN 96" ARE EQUIPPED WITH MOUNTING PLATES



DIMENSIONAL INFORMATION CHART

MODEL	FLANGE SIZE / RATING	DIM. "B"	DIM. "C"	DIM. "D"
17FL50	1/2" 150 LB. R.F. PIPE FLANGE	5-3/4"	6-3/8"	12-3/4"
17FL75	3/4" 150 LB. R.F. PIPE FLANGE	5-7/8"	6-1/2"	12-7/8"
17FL10	1" 150 LB. R.F. PIPE FLANGE	6"	6-5/8"	13"
17FL15	1-1/2" 150 LB. R.F. PIPE FLANGE	6-1/4"	6-7/8"	13-1/4"
17FL20	2" 150 LB. R.F. PIPE FLANGE	6-3/8"	7"	13-3/8"

REV.	DATE	BY	CHKD.	ECN	EXPLANATION:
A	08-26-11	DS	PAS	000016	RELEASED
B	12-12-11	PAS	DS	000127	ADDED SHEET 2
C	12-20-11	PAS	RDM	000132	ADDED ORDERING GUIDE NOTE TO SHEET 2

INFORMATION IS PROPRIETARY TO KENCO ENGINEERING CO.

TOLERANCES UNLESS OTHERWISE SPECIFIED

DECIMAL:  $\pm 0.005$ " FRACTIONAL:  $\pm 1/64$ " ANGULAR:  $\pm 1/2^\circ$

**KENCO ENGINEERING COMPANY**  
TULSA, OKLAHOMA

GAUGE, BULK TANK MODEL 17000 METAL SERIES WITH 150 LB. R.F. FLANGED PROCESS CONNECTIONS

DATE: 08-26-11	SHEET: 1 OF 2	DRAWING NUMBER
DRN. BY: DS	CHKD. BY: PAS	C-60079
SCALE: NONE	REVISION: C	