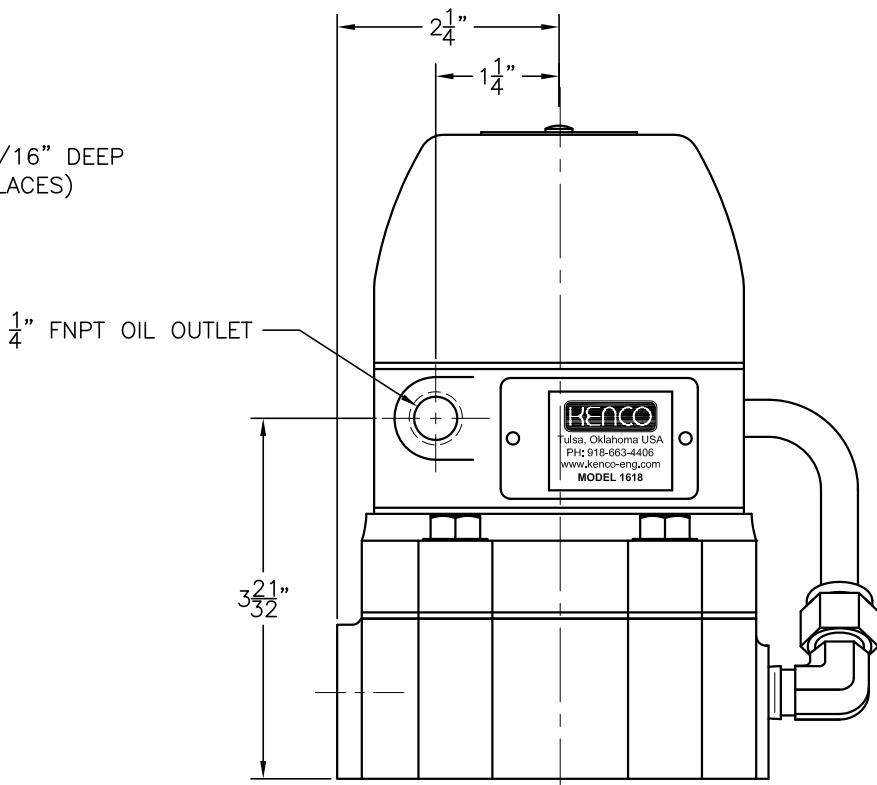


VIEW A - A



METER SPECIFICATIONS:

- FLOW RATE RANGE: 0.05 TO 5 GALLONS PER HOUR
- WORKING PRESSURE RANGE: 4.6 TO 50 P.S.I.G.
- MECHANICAL COUNTER RANGE: 9999.99 GALLONS
- MECHANICAL COUNTER RESOLUTION: 0.01 GALLON

DIMENSIONAL NOTE:

ALL DIMENSIONS ARE FOR REFERENCE PURPOSES ONLY AND ARE SUBJECT TO CHANGE AT ANY TIME WITHOUT NOTICE.

INFORMATION IS PROPRIETARY TO KENCO ENGINEERING CO.

TOLERANCES UNLESS OTHERWISE SPECIFIED
 DECIMAL: ±.005" FRACTIONAL: ±1/64" ANGULAR: ±1/2°

KENCO ENGINEERING COMPANY
 TULSA, OKLAHOMA

METER, LOW FLOW MODEL 1618

REV.	DATE	BY	CHKD.	ECN	EXPLANATION:

DATE: 01-09-85 SHEET: 2 OF 2 DRAWING NUMBER
 DRN. BY: CALLAHAN CHKD. BY: SKM C-1618
 SCALE: NONE REVISION: B