

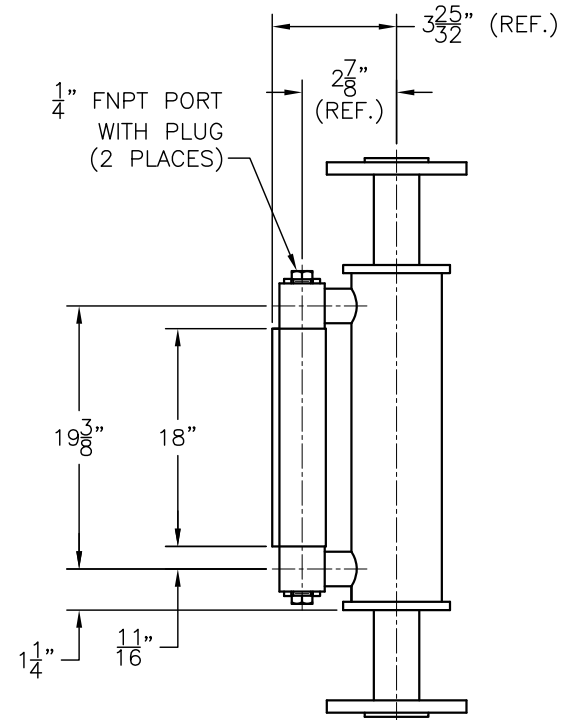
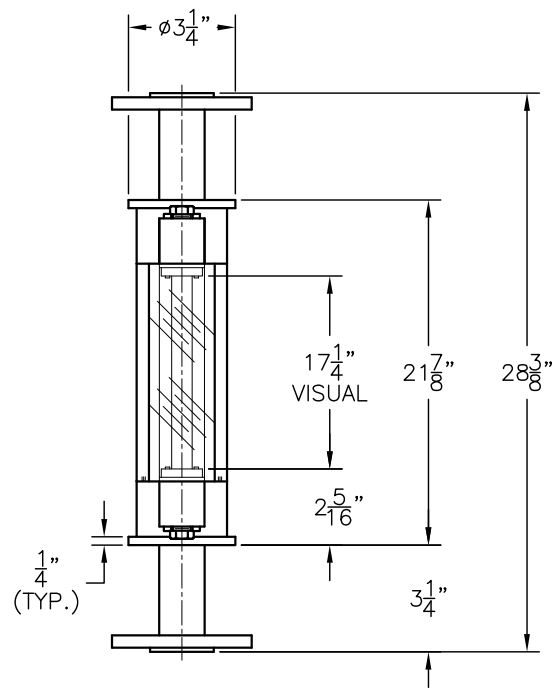
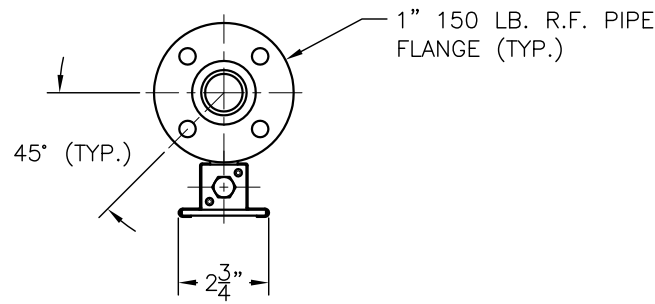
ORDERING INFORMATION

MODEL NUMBER	TANK MATERIAL	SEAL MATERIAL	SCALE CALIBRATION
15849	CS OR SS	A, B, E, V OR T	SEE TABLE BELOW

EXAMPLE MODEL NUMBER: 15849-SS-V-GPH

SCALE CALIBRATION OPTIONS / DEFINITIONS	MAXIMUM PUMPING RATE/GAUGE VOLUME	SCALE CALIBRATION INCREMENT VALUE
GPH=GALLONS PER HOUR	20	0.5
LPH=LITERS PER HOUR	75.71	1
GPD=GALLONS PER DAY	480	10
LPD=LITERS PER DAY	1816.99	25
GBV=GALLONS BY VOLUME	0.33	0.005
LBV=LITERS BY VOLUME	1.26	0.02

NOTE: GPH/LPH/GPD/LPD SCALES ARE BASED ON A ONE MINUTE TEST.
WETTED PARTS: TANK, SIGHT TUBE AND SIGHT TUBE O-RING SEALS



DIMENSIONAL NOTE:
DIMENSIONS ARE FOR REFERENCE
PURPOSES ONLY AND ARE SUBJECT TO
CHANGE AT ANY TIME WITHOUT NOTICE.

INFORMATION IS PROPRIETARY TO KENCO ENGINEERING CO.

PART NUMBER AND MATERIAL DESIGNATION:

DRAWING NO. MODEL NO. MATERIAL:
C-15849-CS 15849-CS (CARBON STEEL TANK WITH 316/316L
STAINLESS STEEL WETTED PARTS ON SIGHT GAUGE)
C-15849-SS 15849-SS (316/316L STAINLESS STEEL CONSTRUCTION)

REV.	DATE	BY	CHKD.	ECN	EXPLANATION:	KENCO ENGINEERING COMPANY TULSA, OKLAHOMA
A	06-03-93	RC	-	-	ITEM 4 P/N WAS B-14109	
B	12-14-94	RC	-	-	ITEM 4 P/N WAS A-18954, MAT'L WAS 6061-T6 ALUM.	
C	05-03-10	DS	PAS	000008	REDRAWN; WAS HAND DWG.; ITEM 2 DESCRIPTION WAS PYREX GAUGE GLASS ITEM 6 WAS P-13698; ADDED SHEET 2 OF 2; ADDED 13114-A	DATE: 11-15-91 DRN. BY: RC SCALE: NONE
						SHEET: 1 OF 2 CHKD. BY: REVISION: C
						DRAWING NUMBER C-15849