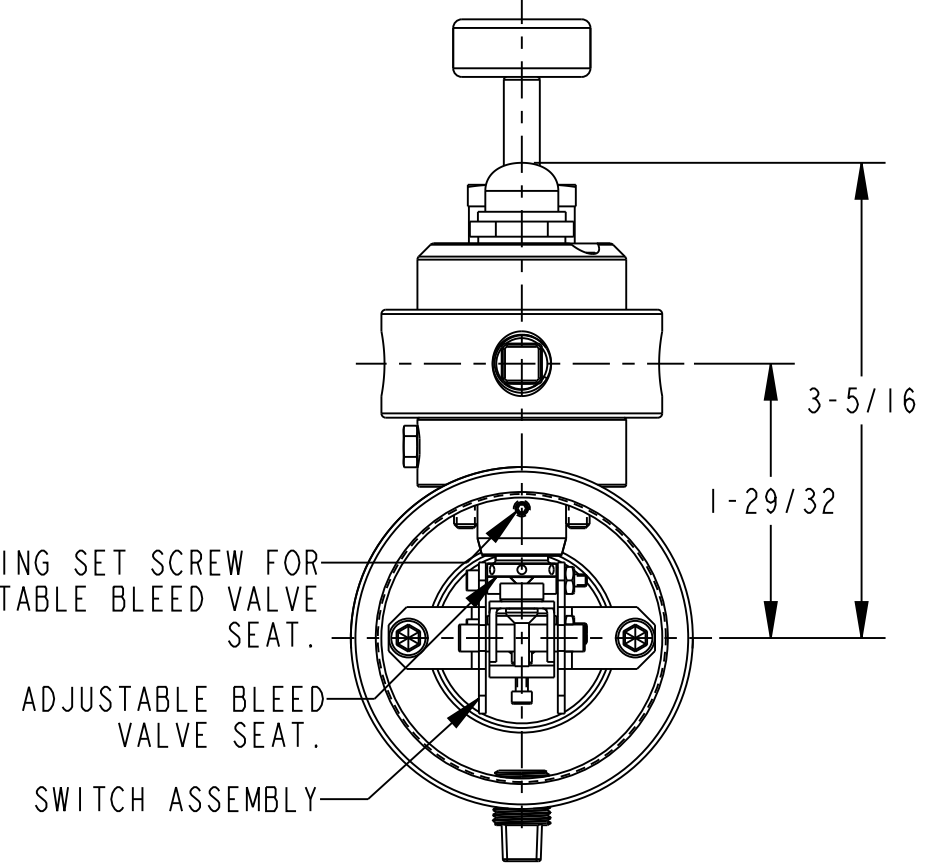
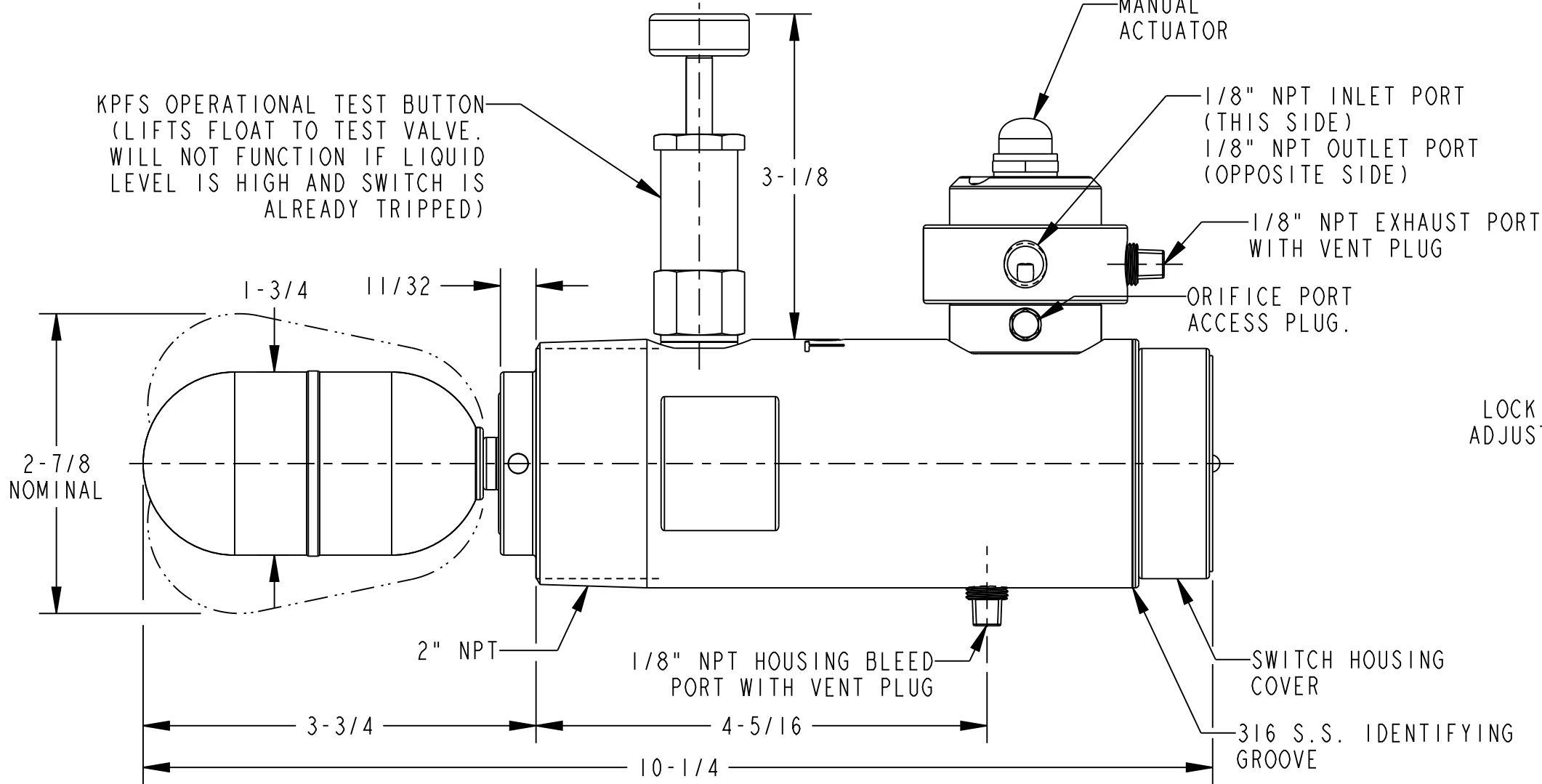
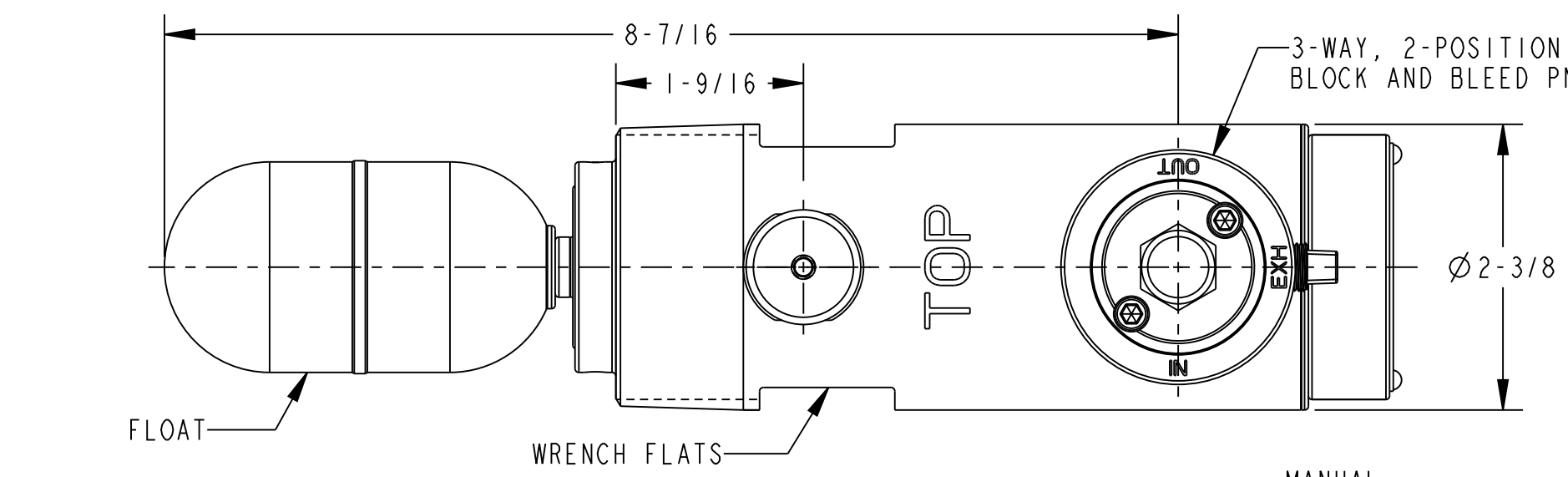


**IMPORTANT: VALVE MUST BE PLUMBED WITH CLEAN (FILTERED), DRY AND REGULATED AIR OR INSTRUMENT QUALITY GAS.**

**SPECIFICATIONS:**  
 MIN. OPERATING S.G.: .53  
 MAX. WORKING PRESSURE: 2000 PSI  
 WETTED MATERIALS: 303/304 STAINLESS STEEL (STANDARD)  
 316 STAINLESS STEEL (OPTIONAL)  
 (NOTE: ADD -S6-TB SUFFIX TO MODEL NUMBER FOR 316 OPTION.)

**VALVE OPERATING PARAMETERS:**  
 MIN. VALVE SUPPLY PRESSURE: 30 PSI  
 MAX. VALVE SUPPLY PRESSURE: 75 PSI



DIMENSIONS ARE FOR REFERENCE PURPOSES ONLY AND ARE SUBJECT TO CHANGE AT ANY TIME WITHOUT NOTICE.

MODEL NO.: KPFS-2-LR-S6-TB

				DIM'S IN INCHES TOLERANCES UNLESS OTHERWISE SPECIFIED.		KENCO ENGINEERING Tulsa, Oklahoma USA		MATERIAL: SEE B/M	
A	4/05/22	BRC		ANGULAR	±1/2°	RELEASED		RELEASE LEVEL:	RELEASED
	N/A	DS		FRACTIONAL	±1/64"	DESCRIPTION		DRAWING CREATED IN PRO/ENGINEER	
REV.	DATE	DRN.		(X.X )	±0.015"			TITLE: SWITCH, FLOAT KPFS-TB (LEVEL RISING)---316 S.S.	
	ECN	CHKD.		(X.XX )	±0.010"			DRN. BY:	BRC
				(X.XXX)	±0.005"			SCALE:	0.750
				MACH FILLET RAD: .031"				CHKD. BY:	DS
				125 MAX. FINISH, ALL MACHINED SURFACES.				REVISION:	A
								DATE:	4/05/22
								SHEET	1 OF 3
								DRAWING NUMBER	89545-LR

**PROPRIETARY:** THIS DRAWING AND THE INFORMATION CONTAINED HEREIN IS PROPRIETARY TO KENCO ENGINEERING CO. AND SHALL NOT BE REPRODUCED, COPIED, OR DISCLOSED IN WHOLE OR IN PART, OR USED FOR MANUFACTURE OR FOR ANY OTHER PURPOSE WITHOUT THE WRITTEN PERMISSION OF KENCO ENGINEERING.