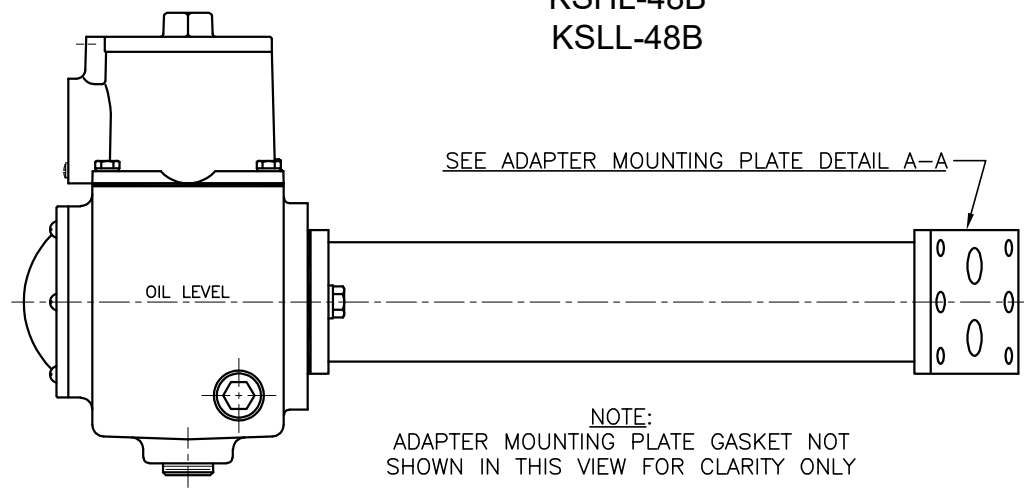
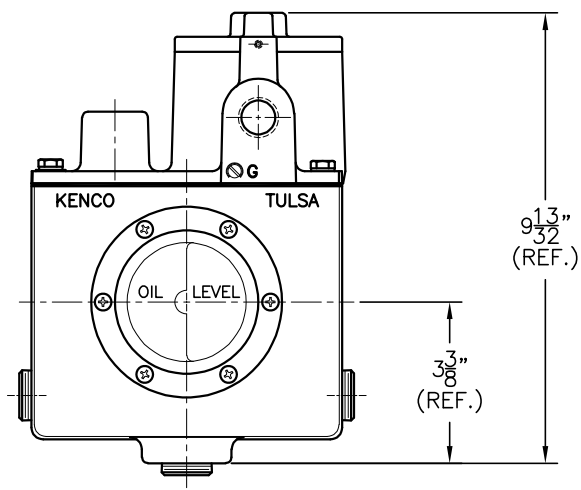


ADAPTER MOUNTING PLATE DETAIL A-A

DIMENSIONAL NOTE:
FOR DETAIL DIMENSIONS OF OIL LEVEL CONTROLLER, REFER TO KLCE OUTLINE DRAWING

MODELS ILLUSTRATED:

- KLCE-48B
- KLCE-DPDT-48B
- KHL-48B
- KHL-DPDT-48B
- KSHL-48B
- KSLL-48B



NOTE:
ADAPTER MOUNTING PLATE GASKET NOT SHOWN IN THIS VIEW FOR CLARITY ONLY

FOR ARIEL CORPORATION COMPRESSORS:

- JGC/JGD/JGF 4 & 6 CYLINDER WITH STANDARD SHAFT ROTATION AND A SINGLE CHAIN DRIVE.
- JGC/JGD/JGF 6 CYLINDER WITH REVERSE SHAFT ROTATION AND A DUAL CHAIN DRIVE

DIMENSIONS ARE FOR REFERENCE PURPOSES ONLY AND ARE SUBJECT TO CHANGE AT ANY TIME WITHOUT NOTICE. INFORMATION IS PROPRIETARY TO KENCO ENGINEERING CO.

REV.	DATE	BY	CHKD.	ECN	EXPLANATION:	KENCO ENGINEERING COMPANY TULSA, OKLAHOMA
A	11-28-05	RDM	DM	N/A	19-9/16" (REF.) WAS 19-11/32" (REF.)	
B	02-14-22	RDM	DM	N/A	ADDED JGF COMPRESSOR	
						CONTROLLER, OIL LEVEL (OUTLINE DRAWING) KLCE/KHL/KSHL/KSLL W/TYPE 48B ADAPTER
						DATE: 07-22-05 SHEET: 1 OF 1 DRAWING NUMBER
						DRN. BY: DS/DM CHKD. BY: RDM
						SCALE: 1/2"=1" REVISION: B C-49097