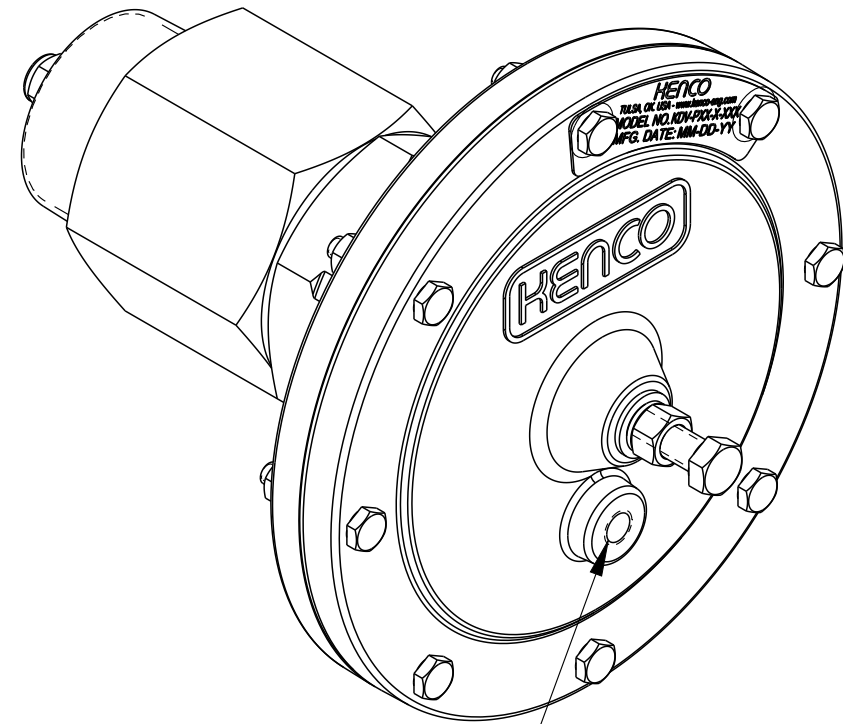
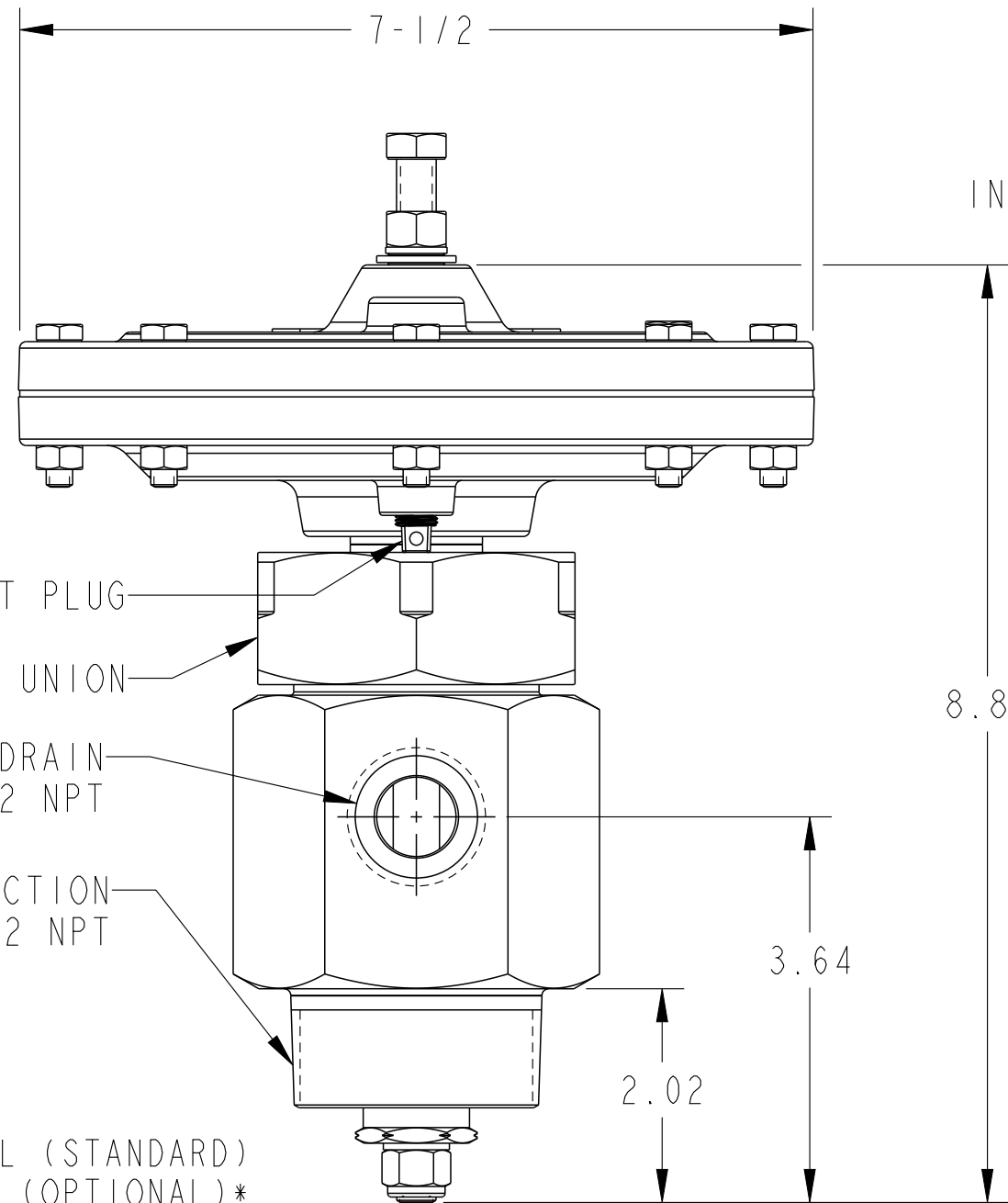


ASSEMBLY DRAWINGS ARE FOR VISUAL REFERENCE ONLY. DUMP VALVE ASSEMBLY MAY DIFFER IN APPEARANCE FROM VIEWS SHOWN



1/8"-27 NPT
PRESSURE INLET PORT



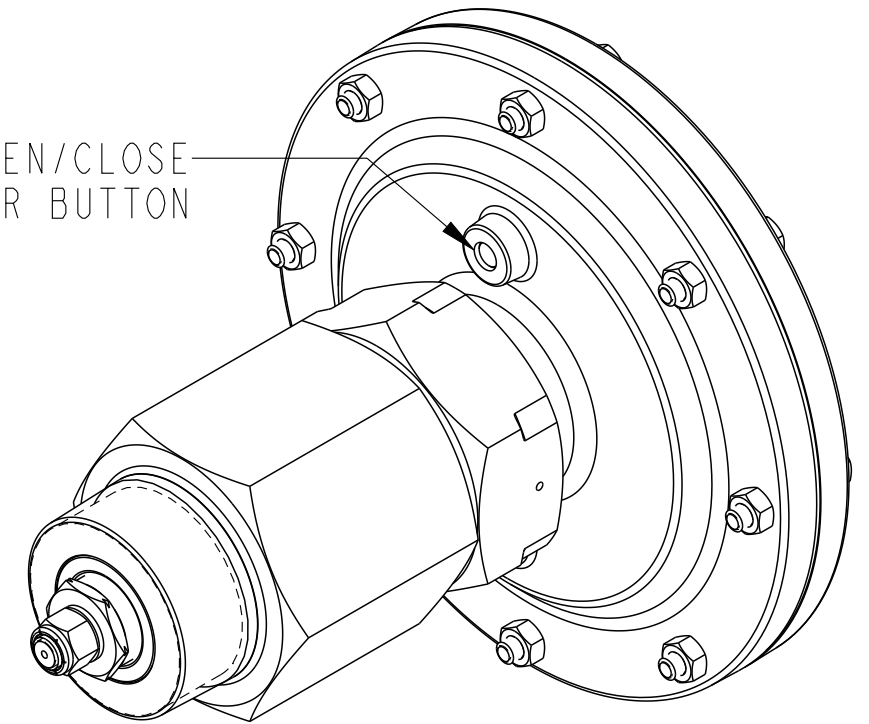
VENT PLUG

CONNECTION UNION

DRAIN
1"-11 1/2 NPT

PROCESS CONNECTION
2"-11 1/2 NPT

OPEN/CLOSE
INDICATOR BUTTON




KDV-P20-2-1
(STANDARD CONSTRUCTION)

KDV-P20-2-1-S6
(WETTED 316 S.S. CONSTRUCTION)

PRESSURE RATING: 2000 PSI
 MAXIMUM VALVE RELEASE PRESSURE: 70 PSI
 OPERATING TEMPERATURE: -30 TO 250°F
 INTERNAL WETTED PARTS: 303 STAINLESS STEEL (STANDARD)
 NACE MR0175 COMPLIANT 316 STAINLESS STEEL (OPTIONAL)*
 TRIM PLUG SEAL: HIGH PERFORMANCE POLYURETHANE
 BODY: ELECTROLESS NICKEL PLATED CARBON STEEL (STANDARD)
 NACE MR0175 COMPLIANT 316 STAINLESS STEEL (OPTIONAL)*

*SEE ORDERING GUIDE FOR MODEL NO. INFORMATION

D	4/19/24	EMJ	ADDED OPTION FOR 316 STAINLESS STEEL	DIM'S IN INCHES TOLERANCES UNLESS OTHERWISE SPECIFIED.	 Tulsa, Oklahoma USA	MATERIAL:	SEE B/M
	N/A	BRC	ADDED VISUAL REFERENCE NOTE			RELEASE LEVEL:	RELEASED
C	1/10/20	BRC	UPDATED TO REFLECT THE ADDITION OF THE ID TAG	ANGULAR ±1/2° FRACTIONAL ±1/64" (X.X) ±0.015" (X.XX) ±0.010" (X.XXX) ±0.005" MACH FILLET RAD: .031" 125 MAX. FINISH, ALL MACHINED SURFACES.	TITLE: VALVE, DUMP, KDV-P20-2-1	DRAWING CREATED IN PRO/ENGINEER	
	N/A	KLM	SHOWN ON THIS SHEET.			DRN. BY: BRC	SCALE: 1.000
REV.	DATE	DRN.	DESCRIPTION	CHKD. BY: PMM	REVISION: D	52237	
	ECN	CHKD.		DATE: 03-07-08	SHEET 1 OF 3		
PROPRIETARY: THIS DRAWING AND THE INFORMATION CONTAINED HEREIN IS PROPRIETARY TO KENCO ENGINEERING CO. AND SHALL NOT BE REPRODUCED, COPIED, OR DISCLOSED IN WHOLE OR IN PART, OR USED FOR MANUFACTURE OR FOR ANY OTHER PURPOSE WITHOUT THE WRITTEN PERMISSION OF KENCO ENGINEERING.							