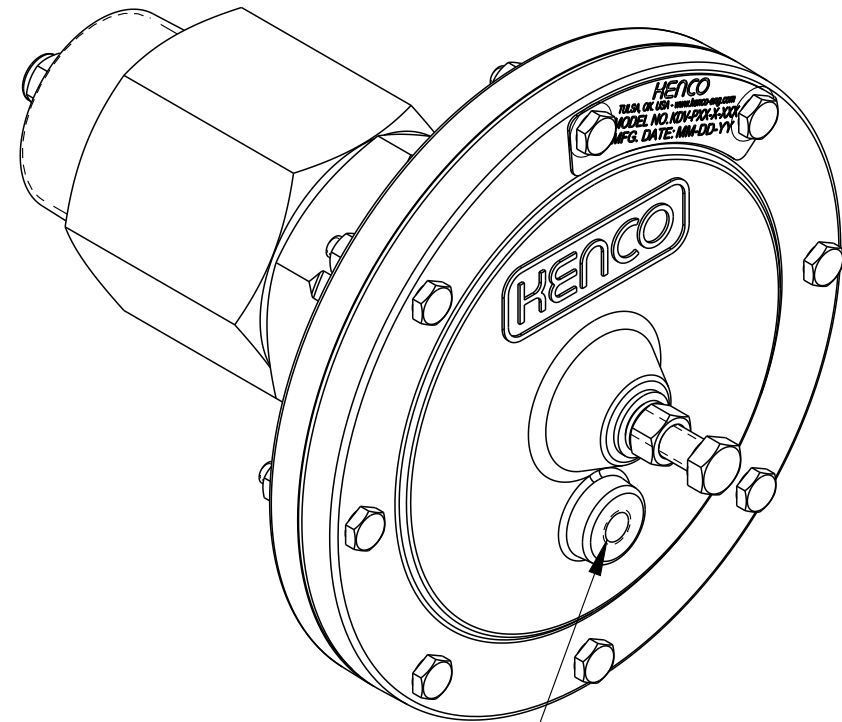
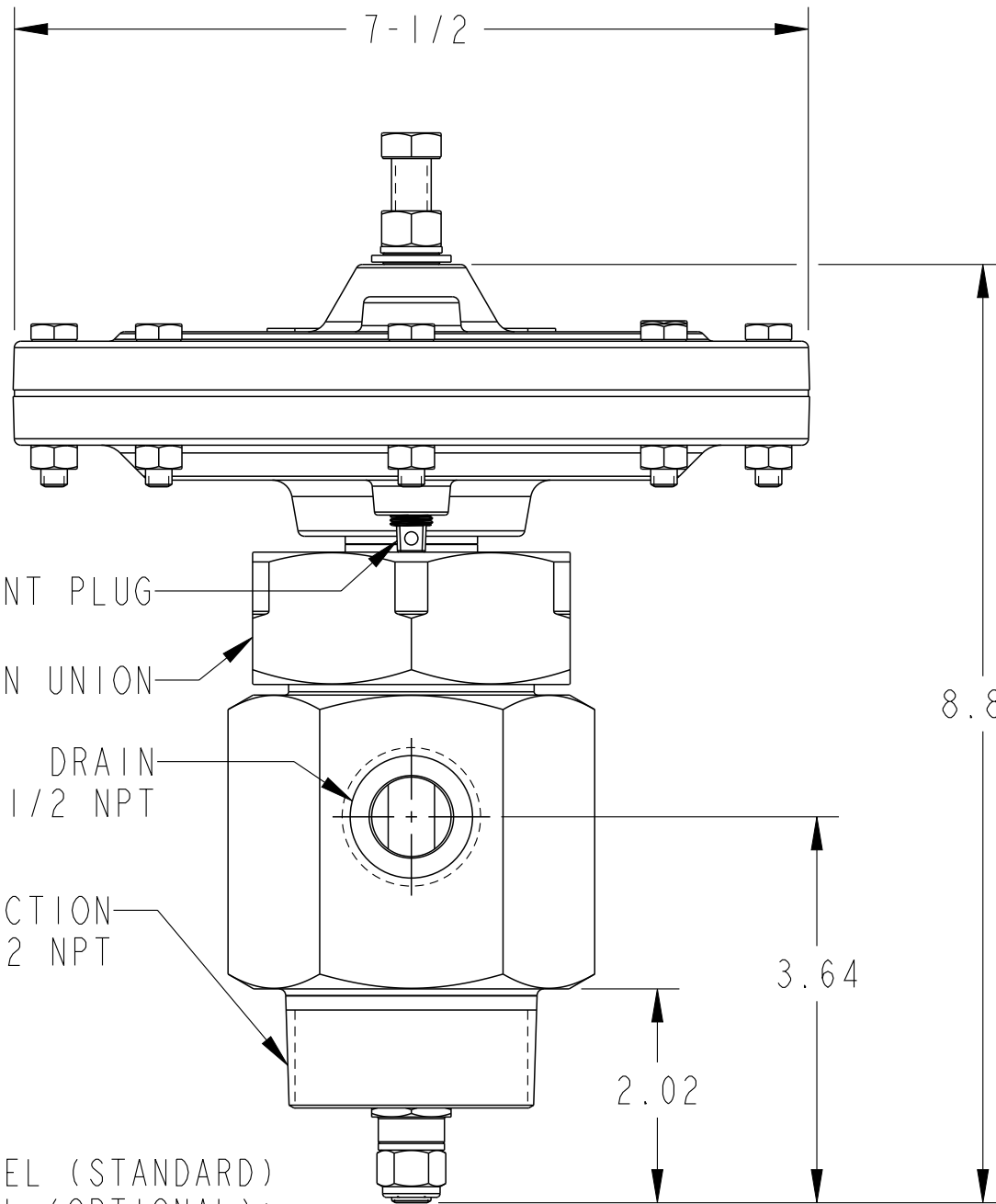


ASSEMBLY DRAWINGS ARE FOR VISUAL REFERENCE ONLY. DUMP VALVE ASSEMBLY MAY DIFFER IN APPEARANCE FROM VIEWS SHOWN



1/8"-27 NPT
PRESSURE INLET PORT



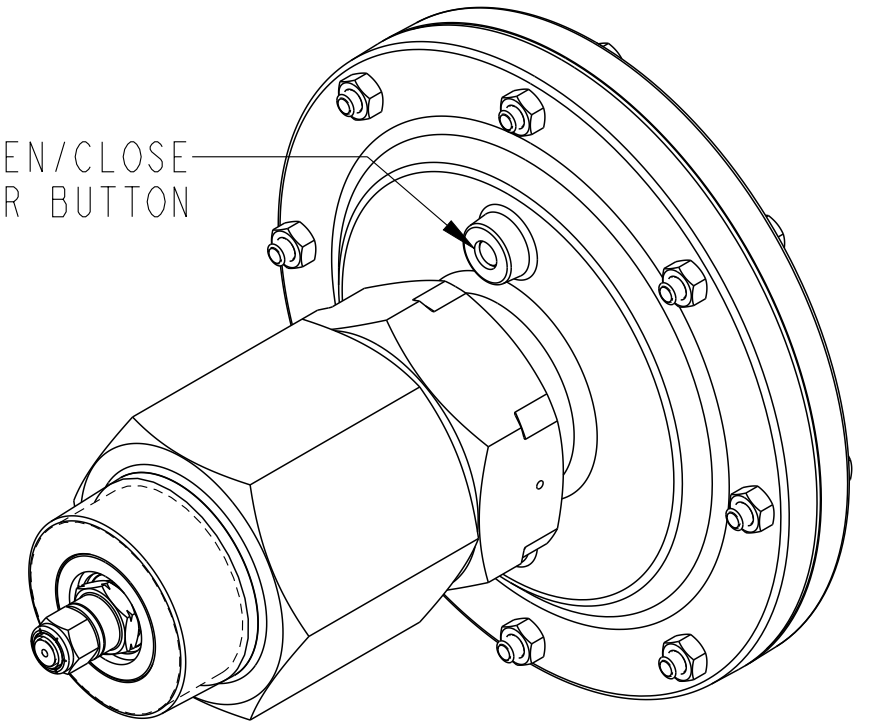
VENT PLUG

CONNECTION UNION

DRAIN
1"-11 1/2 NPT

PROCESS CONNECTION
2"-11 1/2 NPT

OPEN/CLOSE
INDICATOR BUTTON



KDV-P20-2-1-PK
(STANDARD CONSTRUCTION)

KDV-P20-2-1-PK-S6
(WETTED 316 S.S. CONSTRUCTION)

PRESSURE RATING: 2000 PSI
 MAXIMUM VALVE RELEASE PRESSURE: 70 PSI
 OPERATING TEMPERATURE: -30 TO 250°F
 INTERNAL WETTED PARTS: 303 STAINLESS STEEL (STANDARD)
 NACE MR0175 COMPLIANT 316 STAINLESS STEEL (OPTIONAL)*
 TRIM PLUG SEAL: POLYETHERETHERKETONE (PEEK)
 BODY: ELECTROLESS NICKEL PLATED CARBON STEEL (STANDARD)
 NACE MR0175 COMPLIANT 316 STAINLESS STEEL (OPTIONAL)*

*SEE ORDERING GUIDE FOR MODEL NO. INFORMATION

REV.	DATE	DRN.	DESCRIPTION
B	4/19/24	EMJ	ADDED OPTION FOR 316 STAINLESS STEEL
	N/A	BRC	ADDED VISUAL REFERENCE NOTE
A	6/22/20	BRC	RELEASED
	N/A	KLM	
	ECN	CHKD.	

PROPRIETARY: THIS DRAWING AND THE INFORMATION CONTAINED HEREIN IS PROPRIETARY TO KENCO ENGINEERING CO. AND SHALL NOT BE REPRODUCED, COPIED, OR DISCLOSED IN WHOLE OR IN PART, OR USED FOR MANUFACTURE OR FOR ANY OTHER PURPOSE WITHOUT THE WRITTEN PERMISSION OF KENCO ENGINEERING.

DIM'S IN INCHES TOLERANCES UNLESS OTHERWISE SPECIFIED.	
ANGULAR	±1/2°
FRACTIONAL	±1/64"
(X.X)	±0.015"
(X.XX)	±0.010"
(X.XXX)	±0.005"
MACH FILLET RAD: .031"	
125 MAX. FINISH, ALL MACHINED SURFACES.	

KENCO ENGINEERING Tulsa, Oklahoma USA		MATERIAL:	SEE B/M
TITLE: VALVE, DUMP, KDV-P20-2-1-PK		RELEASE LEVEL:	RELEASED
DRN. BY:	BRC	SCALE:	1.000
CHKD. BY:	KLM	REVISION:	B
DATE:	06-22-20	SHEET 1 OF 3	DRAWING NUMBER 85709