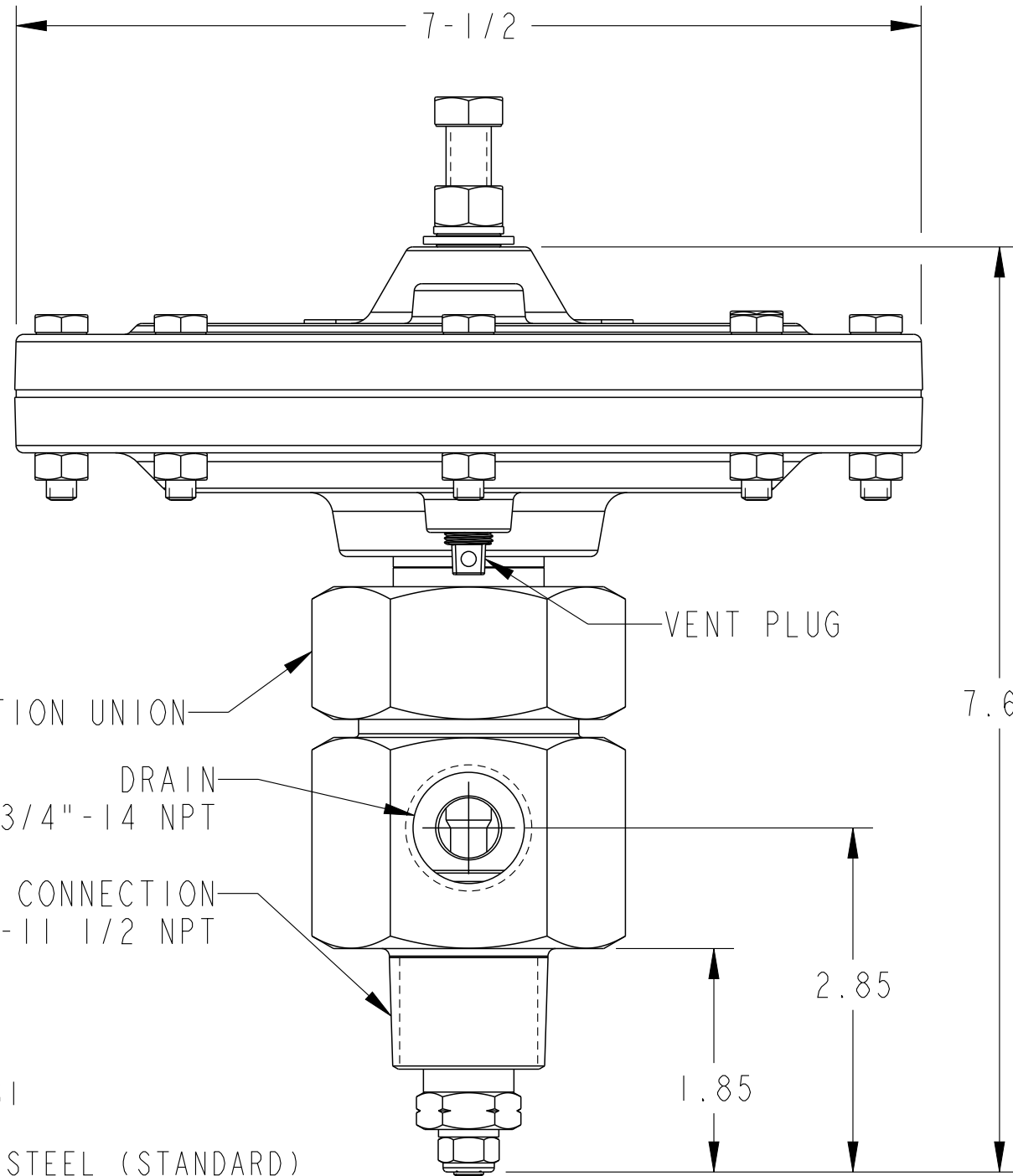
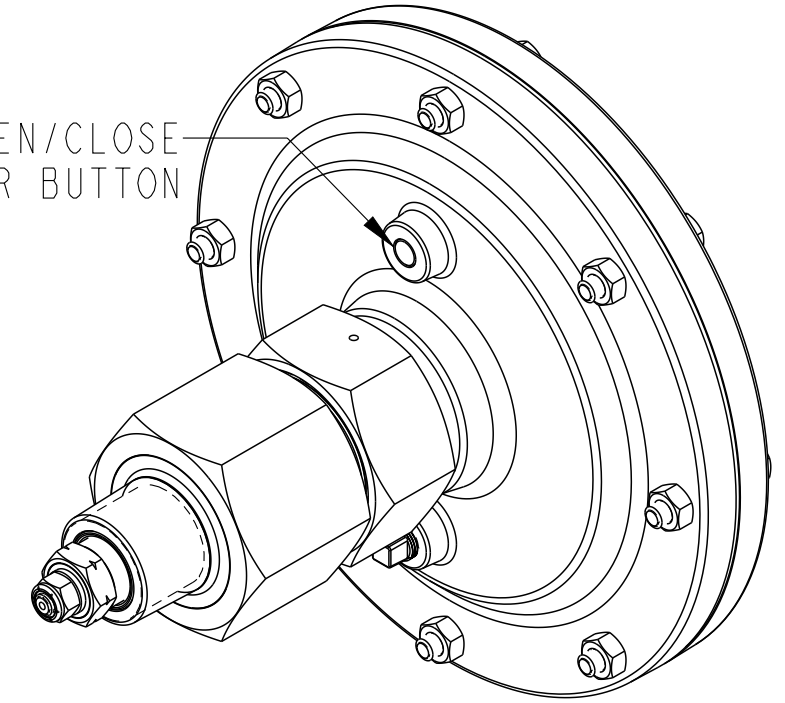


1/8"-27 NPT
PRESSURE INLET PORT



VENT PLUG
CONNECTION UNION
DRAIN
3/4"-14 NPT
PROCESS CONNECTION
1"-11 1/2 NPT

OPEN/CLOSE
INDICATOR BUTTON




KDV-P18-1-075
(STANDARD CONSTRUCTION)

KDV-P18-1-075-S6
(WETTED 316 S.S. CONSTRUCTION)

PRESSURE RATING: 1800 PSI
 MAXIMUM VALVE RELEASE PRESSURE: 45 PSI
 OPERATING TEMPERATURE: -30 TO 250°F
 INTERNAL WETTED PARTS: 303 STAINLESS STEEL (STANDARD)
 NACE MR0175 COMPLIANT 316 STAINLESS STEEL (OPTIONAL)*
 TRIM PLUG SEAL: HIGH PERFORMANCE POLYURETHANE
 BODY: ELECTROLESS NICKEL PLATED CARBON STEEL (STANDARD)
 NACE MR0175 COMPLIANT 316 STAINLESS STEEL (OPTIONAL)*

*SEE ORDERING GUIDE FOR MODEL NO. INFORMATION

REV.	DATE	DRN.	CHKD.	DESCRIPTION	DIM'S IN INCHES TOLERANCES UNLESS OTHERWISE SPECIFIED.	 KENCO ENGINEERING Tulsa, Oklahoma USA	MATERIAL:	SEE B/M			
C	4/19/24	EMJ		ADDED OPTION FOR 316 STAINLESS STEEL							
	N/A	BRC					RELEASE LEVEL:	RELEASED			
B	1/08/20	BRC		ADDED NAMEPLATE, ITEM 31			DRAWING CREATED IN PRO/ENGINEER				
	N/A	KLM			ANGULAR ±1/2° FRACTIONAL ±1/64" (X.X) ±0.015" (X.XX) ±0.010" (X.XXX) ±0.005" MACH FILLET RAD: .031" 125 MAX. FINISH, ALL MACHINED SURFACES.		TITLE:	VALVE, DUMP KDV-P18-1-075			
	DATE	DRN.					DRN. BY:	BRC	SCALE:	N/A	DRAWING NUMBER
	ECN	CHKD.					CHKD. BY:	PMM	REVISION:	C	51889
PROPRIETARY: THIS DRAWING AND THE INFORMATION CONTAINED HEREIN IS PROPRIETARY TO KENCO ENGINEERING CO. AND SHALL NOT BE REPRODUCED, COPIED, OR DISCLOSED IN WHOLE OR IN PART, OR USED FOR MANUFACTURE OR FOR ANY OTHER PURPOSE WITHOUT THE WRITTEN PERMISSION OF KENCO ENGINEERING.							DATE:	03-06-08	SHEET 1 OF 3		