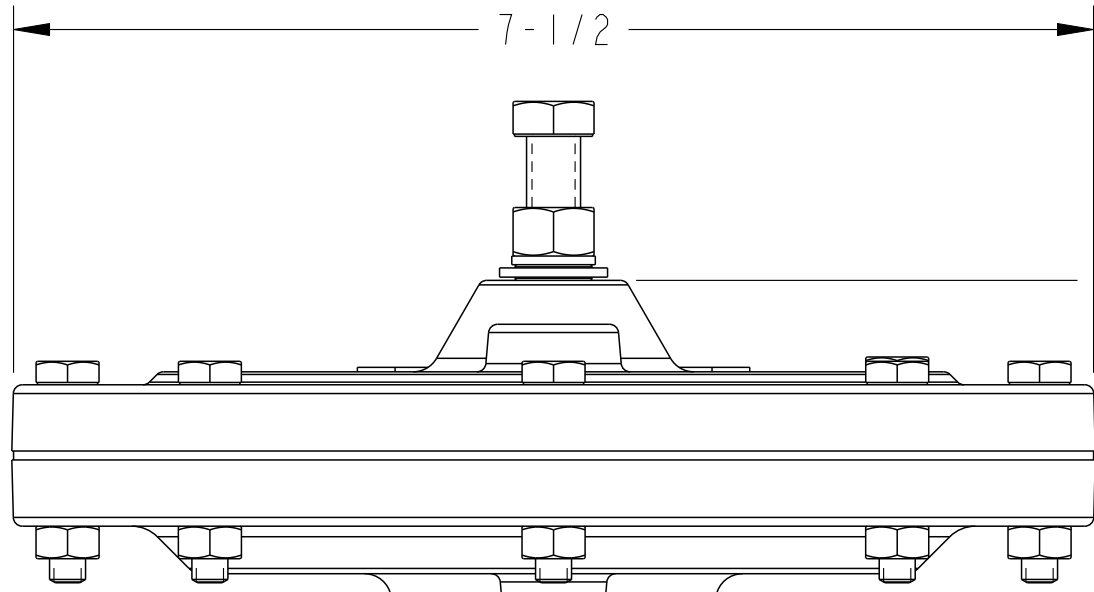


1/8"-27 NPT  
PRESSURE INLET PORT

VENT PLUG

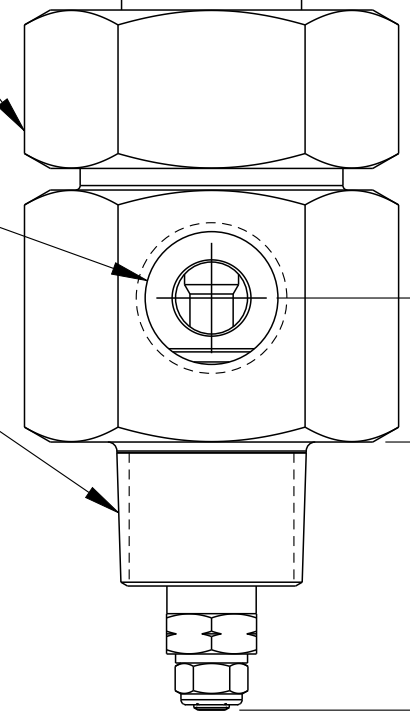


7-1/2

CONNECTION UNION

DRAIN  
3/4"-14 NPT

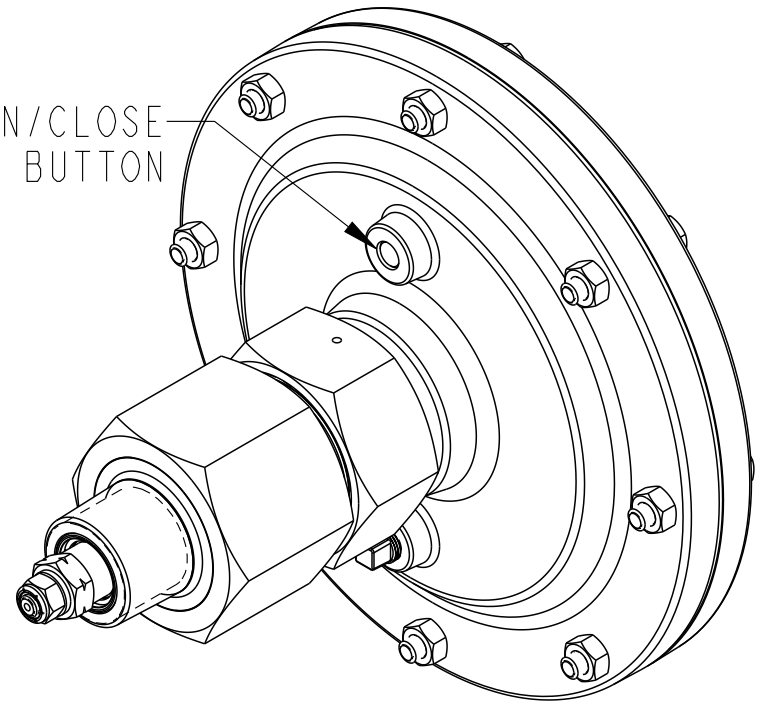
PROCESS CONNECTION  
1"-11 1/2 NPT



2.86

1.86

7.68




OPEN/CLOSE  
INDICATOR BUTTON

PRESSURE RATING: 1800 PSI  
MAXIMUM VALVE RELEASE PRESSURE: 45 PSI  
OPERATING TEMPERATURE: -30 TO 250°F  
INTERNAL WETTED PARTS: 303 STAINLESS STEEL (STANDARD)  
 NACE MR0175 COMPLIANT 316 STAINLESS STEEL (OPTIONAL)\*  
TRIM PLUG SEAL: POLYETHERETHERKETONE (PEEK)  
BODY: ELECTROLESS NICKEL PLATED CARBON STEEL (STANDARD)  
 NACE MR0175 COMPLIANT 316 STAINLESS STEEL (OPTIONAL)\*

\*SEE ORDERING GUIDE FOR MODEL NO. INFORMATION

KDV-P18-1-075-PK  
(STANDARD CONSTRUCTION)

KDV-P18-1-075-PK-S6  
(WETTED 316 S.S. CONSTRUCTION)

B	4/19/24	EMJ	ADDED OPTION FOR 316 STAINLESS STEEL	DIM'S IN INCHES TOLERANCES UNLESS OTHERWISE SPECIFIED.	 <b>KENCO</b> ENGINEERING Tulsa, Oklahoma USA	MATERIAL:	SEE B/M	
	N/A	BRC				RELEASE LEVEL:	RELEASED	
A	6/23/20	BRC	RELEASED	ANGULAR ±1/2° FRACTIONAL ±1/64" (X.X) ±0.015" (X.XX) ±0.010" (X.XXX) ±0.005" MACH FILLET RAD: .031" 125 MAX. FINISH, ALL MACHINED SURFACES.	TITLE:	VALVE, DUMP KDV-P18-1-075-PK		
	N/A	KLM			DRN. BY:	BRC	SCALE:	N/A
REV.	DATE	DRN.	DESCRIPTION	CHKD. BY:	KLM	REVISION:	B	85708
	ECN	CHKD.		DATE:	06-23-20	SHEET 1 OF 3		

**PROPRIETARY:** THIS DRAWING AND THE INFORMATION CONTAINED HEREIN IS PROPRIETARY TO KENCO ENGINEERING CO. AND SHALL NOT BE REPRODUCED, COPIED, OR DISCLOSED IN WHOLE OR IN PART, OR USED FOR MANUFACTURE OR FOR ANY OTHER PURPOSE WITHOUT THE WRITTEN PERMISSION OF KENCO ENGINEERING.