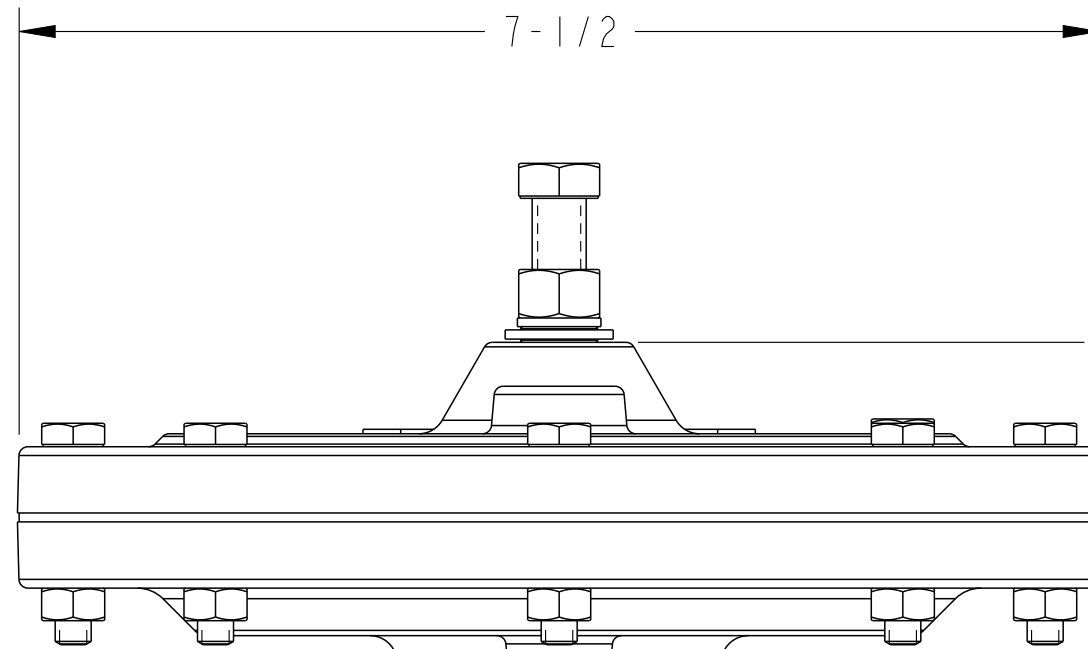


1/8"-27 NPT
PRESSURE INLET PORT



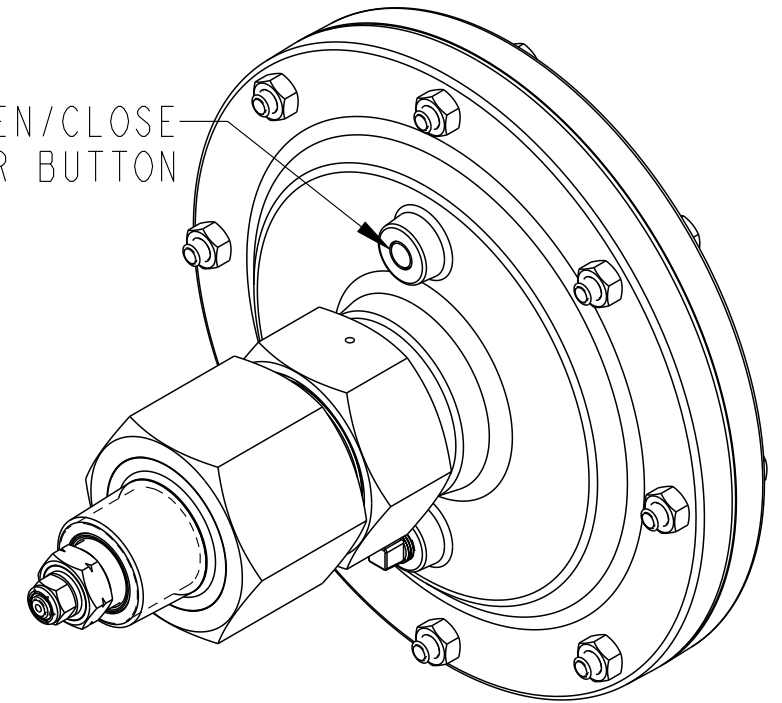
VENT PLUG

CONNECTION UNION

DRAIN
1/2"-14 NPT

PROCESS CONNECTION
1"-11 1/2 NPT

OPEN/CLOSE
INDICATOR BUTTON

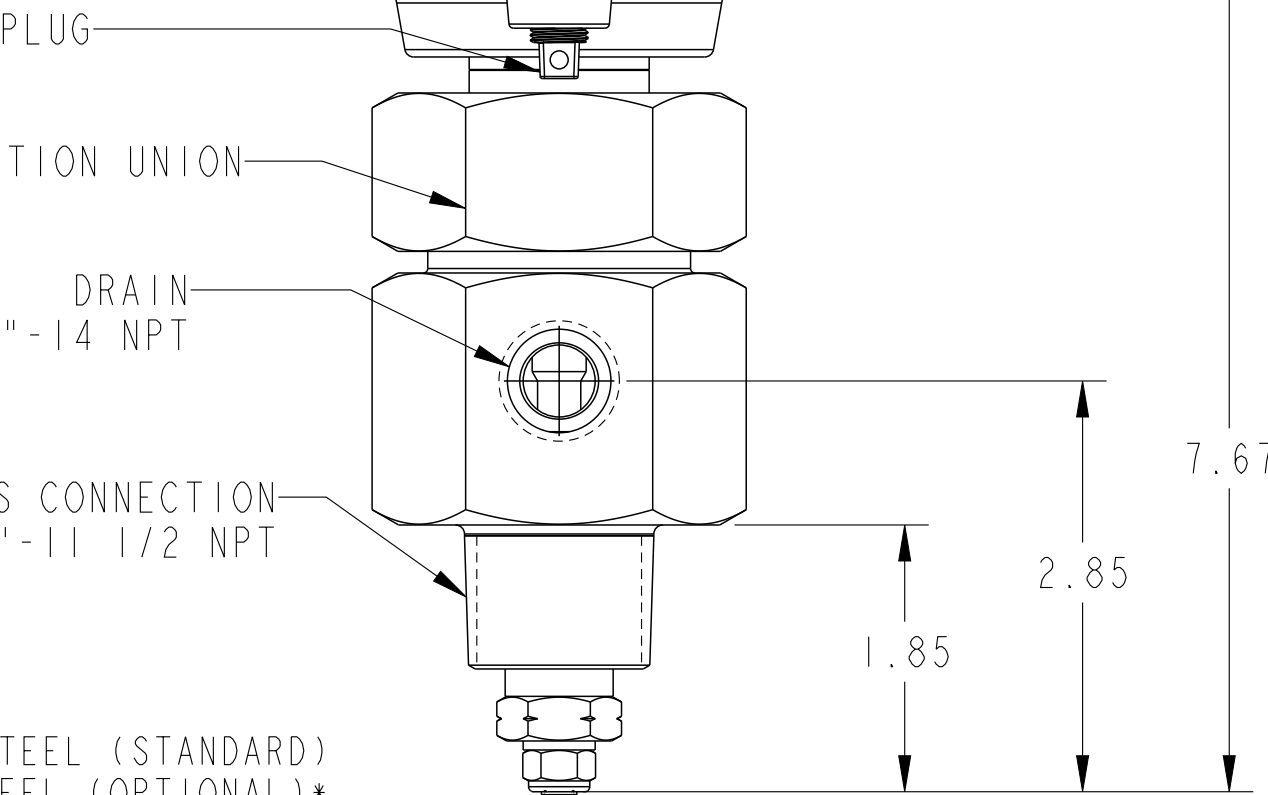



KDV-P18-1-05
(STANDARD CONSTRUCTION)

KDV-P18-1-05-S6
(WETTED 316 S.S. CONSTRUCTION)

PRESSURE RATING: 1800 PSI
 MAXIMUM VALVE RELEASE PRESSURE: 45 PSI
 OPERATING TEMPERATURE: -30 TO 250°F
 INTERNAL WETTED PARTS: 303 STAINLESS STEEL (STANDARD)
 NACE MR0175 COMPLIANT 316 STAINLESS STEEL (OPTIONAL)*
 TRIM PLUG SEAL: HIGH PERFORMANCE POLYURETHANE
 BODY: ELECTROLESS NICKEL PLATED CARBON STEEL (STANDARD)
 NACE MR0175 COMPLIANT 316 STAINLESS STEEL (OPTIONAL)*

*SEE ORDERING GUIDE FOR MODEL NO. INFORMATION



REV.	DATE	DRN.	DESCRIPTION	DIM'S IN INCHES TOLERANCES UNLESS OTHERWISE SPECIFIED.	 KENCO ENGINEERING Tulsa, Oklahoma USA	MATERIAL:	SEE B/M			
C	4/19/24	EMJ	ADDED OPTION FOR 316 STAINLESS STEEL				RELEASE LEVEL:	RELEASED		
B	1/08/20	BRC	ADDED NAMEPLATE, ITEM 31	ANGULAR ±1/2° FRACTIONAL ±1/64" (X.X) ±0.015" (X.XX) ±0.010" (X.XXX) ±0.005" MACH FILLET RAD: .031" 125 MAX. FINISH, ALL MACHINED SURFACES.		DRAWING CREATED IN PRO/ENGINEER				
						TITLE:	VALVE, DUMP KDV-P18-1-05			
						DRN. BY:	BRC	SCALE:	N/A	DRAWING NUMBER
						CHKD. BY:	PMM	REVISION:	C	51888
						DATE:	03-06-08	SHEET 1 OF 3		

PROPRIETARY: THIS DRAWING AND THE INFORMATION CONTAINED HEREIN IS PROPRIETARY TO KENCO ENGINEERING CO. AND SHALL NOT BE REPRODUCED, COPIED, OR DISCLOSED IN WHOLE OR IN PART, OR USED FOR MANUFACTURE OR FOR ANY OTHER PURPOSE WITHOUT THE WRITTEN PERMISSION OF KENCO ENGINEERING.