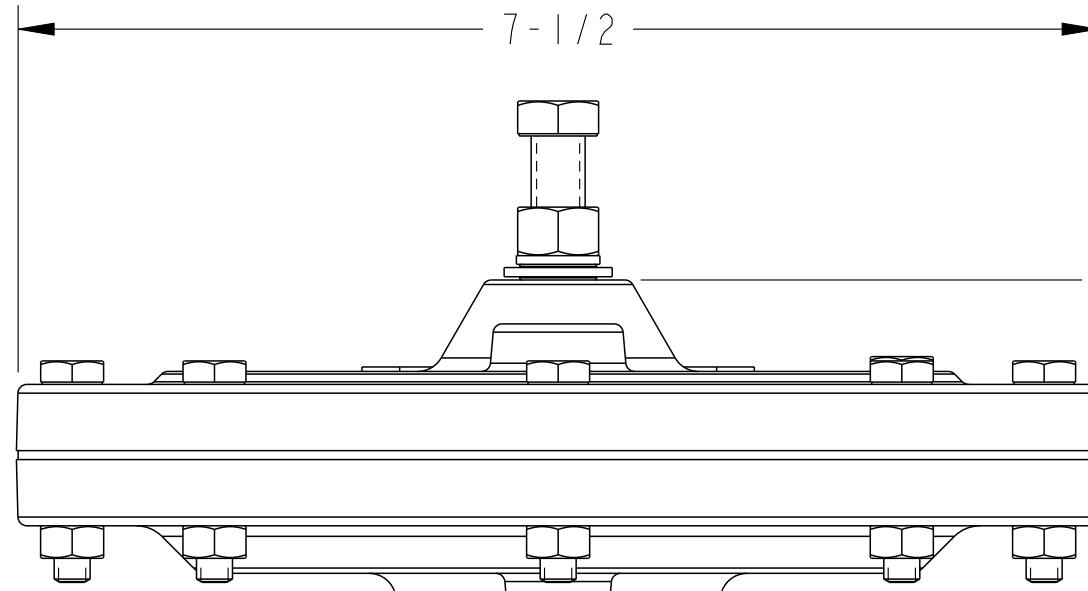
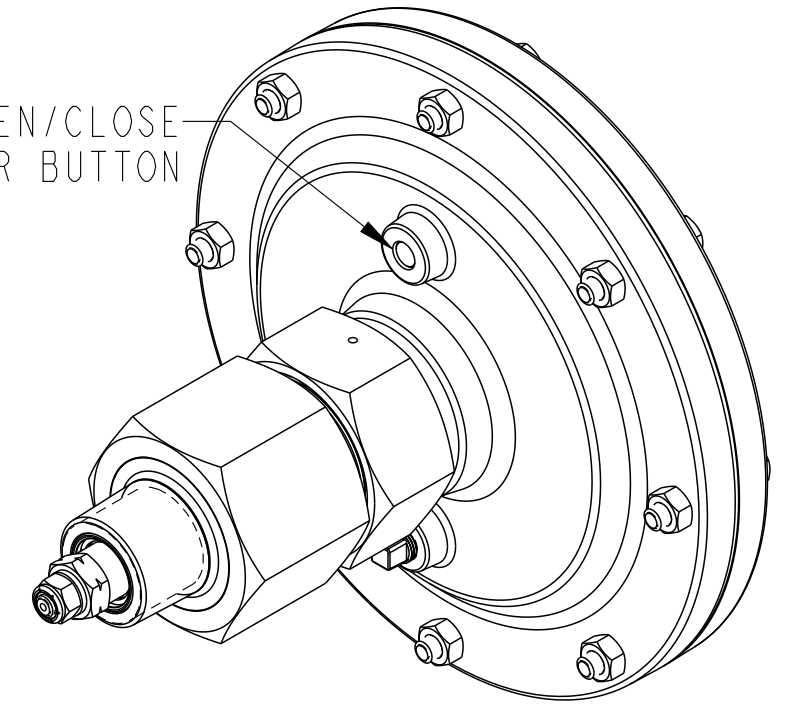


1/8"-27 NPT  
PRESSURE INLET PORT



7-1/2



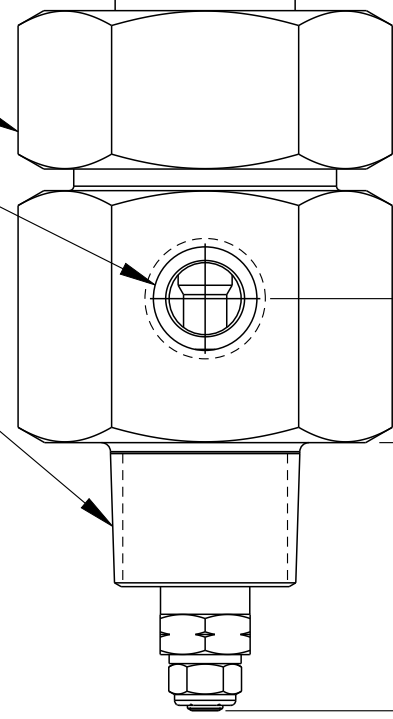
OPEN/CLOSE  
INDICATOR BUTTON

VENT PLUG

CONNECTION UNION

DRAIN  
1/2"-14 NPT

PROCESS CONNECTION  
1"-11 1/2 NPT



7.68

2.86


1.86

KDV-P18-1-05-PK  
(STANDARD CONSTRUCTION)

KDV-P18-1-05-PK-S6  
(WETTED 316 S.S. CONSTRUCTION)

PRESSURE RATING: 1800 PSI  
 MAXIMUM VALVE RELEASE PRESSURE: 45 PSI  
 OPERATING TEMPERATURE: -30 TO 250°F  
 INTERNAL WETTED PARTS: 303 STAINLESS STEEL (STANDARD)  
 NACE MR0175 COMPLIANT 316 STAINLESS STEEL (OPTIONAL)\*  
 TRIM PLUG SEAL: POLYETHERETHERKETONE (PEEK)  
 BODY: ELECTROLESS NICKEL PLATED CARBON STEEL (STANDARD)  
 NACE MR0175 COMPLIANT 316 STAINLESS STEEL (OPTIONAL)\*

\*SEE ORDERING GUIDE FOR MODEL NO. INFORMATION

B	4/19/24	EMJ	ADDED OPTION FOR 316 STAINLESS STEEL	DIM'S IN INCHES TOLERANCES UNLESS OTHERWISE SPECIFIED.	 <b>KENCO</b> ENGINEERING Tulsa, Oklahoma USA	MATERIAL:	SEE B/M	
	N/A	BRC				RELEASE LEVEL:	RELEASED	
A	6/23/20	BRC	RELEASED	ANGULAR ±1/2° FRACTIONAL ±1/64" (X.X) ±0.015" (X.XX) ±0.010" (X.XXX) ±0.005" MACH FILLET RAD: .031" 125 MAX. FINISH, ALL MACHINED SURFACES.	DRAWING CREATED IN PRO/ENGINEER			
	N/A	KLM			TITLE: VALVE, DUMP KDV-P18-1-05-PK			
REV.	DATE	DRN.	DESCRIPTION	DRN. BY:	BRC	SCALE:	N/A	DRAWING NUMBER
	ECN	CHKD.		CHKD. BY:	KLM	REVISION:	B	
PROPRIETARY: THIS DRAWING AND THE INFORMATION CONTAINED HEREIN IS PROPRIETARY TO KENCO ENGINEERING CO. AND SHALL NOT BE REPRODUCED, COPIED, OR DISCLOSED IN WHOLE OR IN PART, OR USED FOR MANUFACTURE OR FOR ANY OTHER PURPOSE WITHOUT THE WRITTEN PERMISSION OF KENCO ENGINEERING.				DATE:	06-23-20	SHEET 1 OF 3	85707	