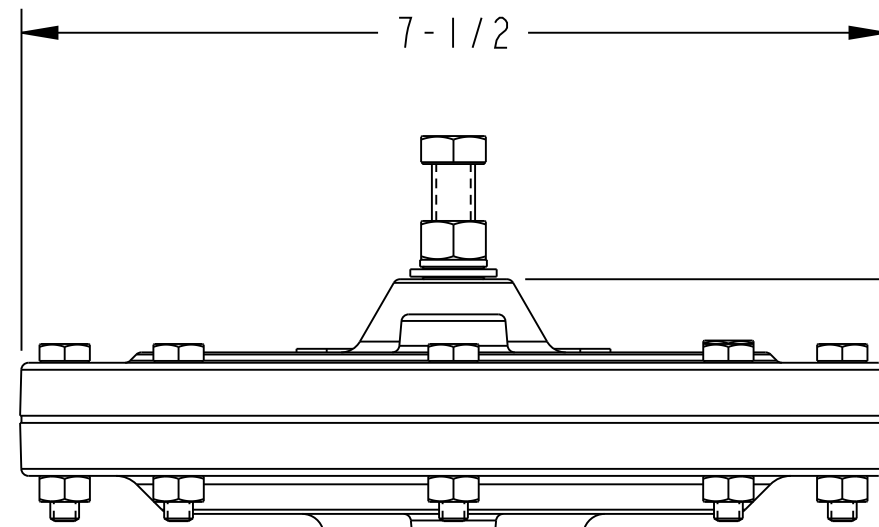
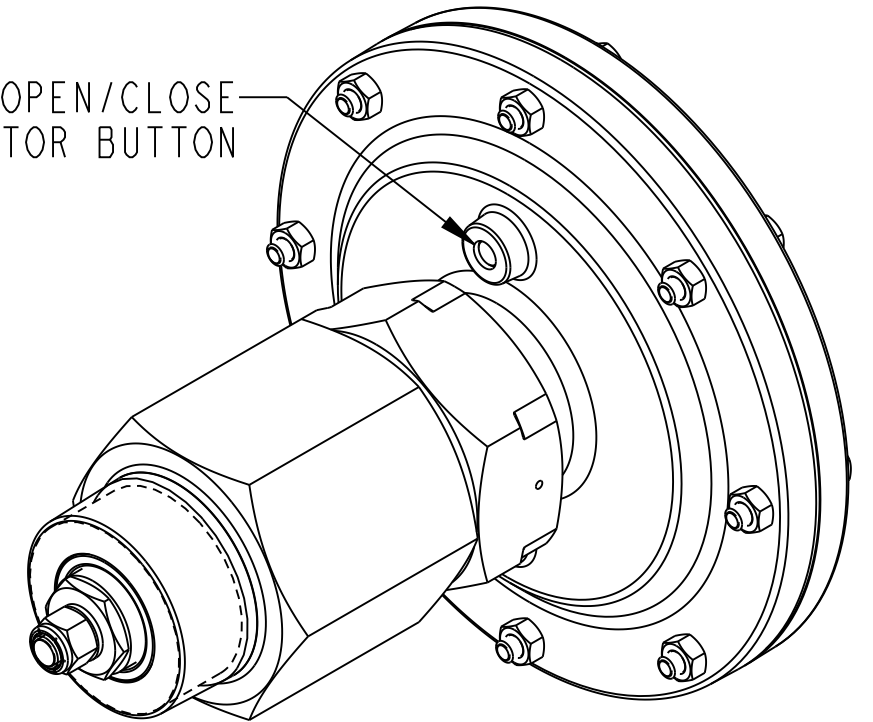


1/8"-27 NPT  
PRESSURE INLET PORT



7-1/2

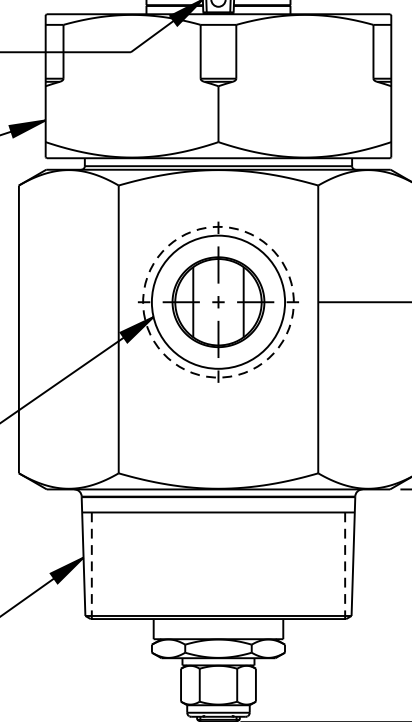
OPEN/CLOSE  
INDICATOR BUTTON



VENT PLUG  
CONNECTION UNION

DRAIN  
1"-11 1/2 NPT

PROCESS CONNECTION  
2"-11 1/2 NPT




8.86

3.64

2.02

KDV-P15-2-1

PRESSURE RATING: 1500 PSI  
 MAXIMUM VALVE RELEASE PRESSURE: 70 PSI  
 OPERATING TEMPERATURE: -30 TO 250°F  
 INTERNAL WETTED PARTS: 303 STAINLESS STEEL  
 TRIM PLUG SEAL: HIGH PERFORMANCE POLYURETHANE  
 BODY: ELECTROLESS NICKEL PLATED CARBON STEEL

C	1/09/20	BRC	UPDATED TO REFLECT THE ADDITION OF THE ID TAG	DIM'S IN INCHES TOLERANCES UNLESS OTHERWISE SPECIFIED.	 <b>KENCO</b> ENGINEERING Tulsa, Oklahoma USA	MATERIAL:	SEE B/M	
	N/A	KLM	SHOWN ON THIS SHEET.			RELEASE LEVEL:	RELEASED	
B	7/29/08	BRC	UPDATED TO REFLECT CHANGE IN TRIM SHAFT FROM $\varnothing 3/8"$ TO $\varnothing 7/16"$ .	ANGULAR $\pm 1/2^\circ$ FRACTIONAL $\pm 1/64"$ (X.X ) $\pm 0.015"$ (X.XX ) $\pm 0.010"$ (X.XXX ) $\pm 0.005"$ MACH FILLET RAD: .031" 125 MAX. FINISH, ALL MACHINED SURFACES.	DRAWING CREATED IN PRO/ENGINEER			
	N/A	PMM			TITLE: VALVE, DUMP, KDV-P15-2-1			
REV.	DATE	DRN.	DESCRIPTION	DRN. BY:	BRC	SCALE:	0.600	DRAWING NUMBER 52238
	ECN	CHKD.		CHKD. BY:	PMM	REVISION:	C	
<b>PROPRIETARY:</b> THIS DRAWING AND THE INFORMATION CONTAINED HEREIN IS PROPRIETARY TO KENCO ENGINEERING CO. AND SHALL NOT BE REPRODUCED, COPIED, OR DISCLOSED IN WHOLE OR IN PART, OR USED FOR MANUFACTURE OR FOR ANY OTHER PURPOSE WITHOUT THE WRITTEN PERMISSION OF KENCO ENGINEERING.				DATE:	03-07-08	SHEET 1 OF 3		