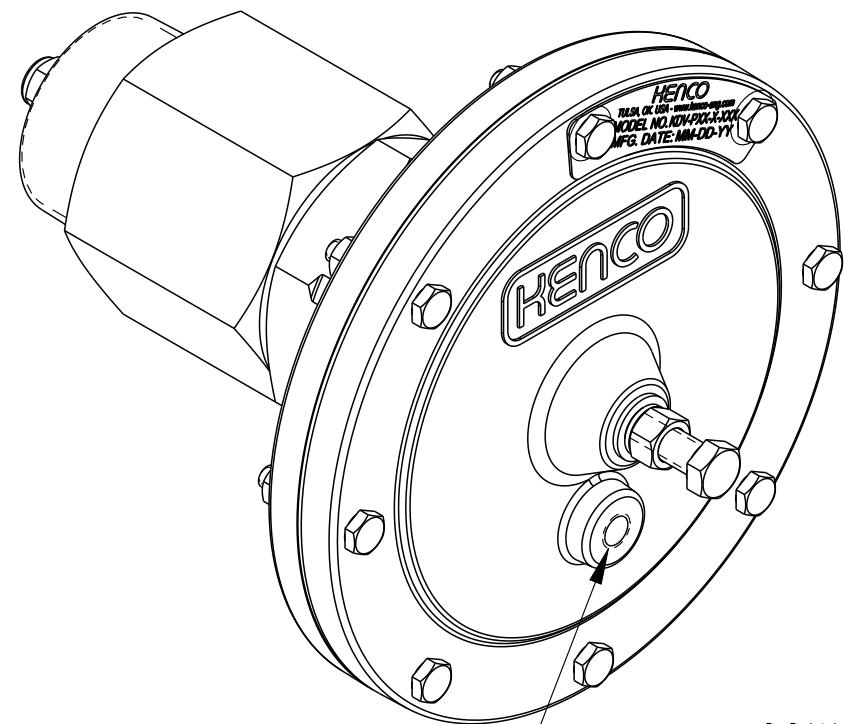
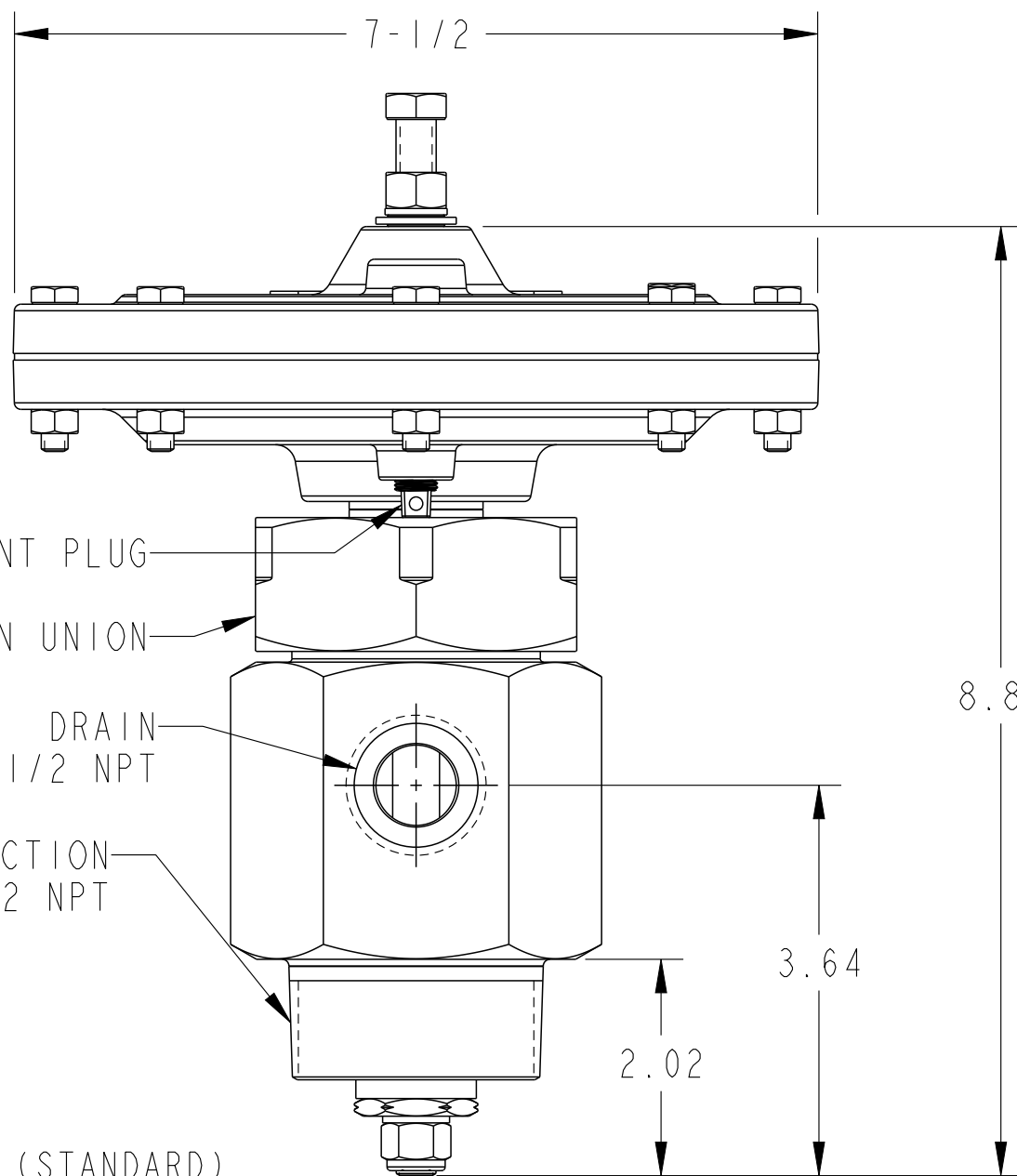


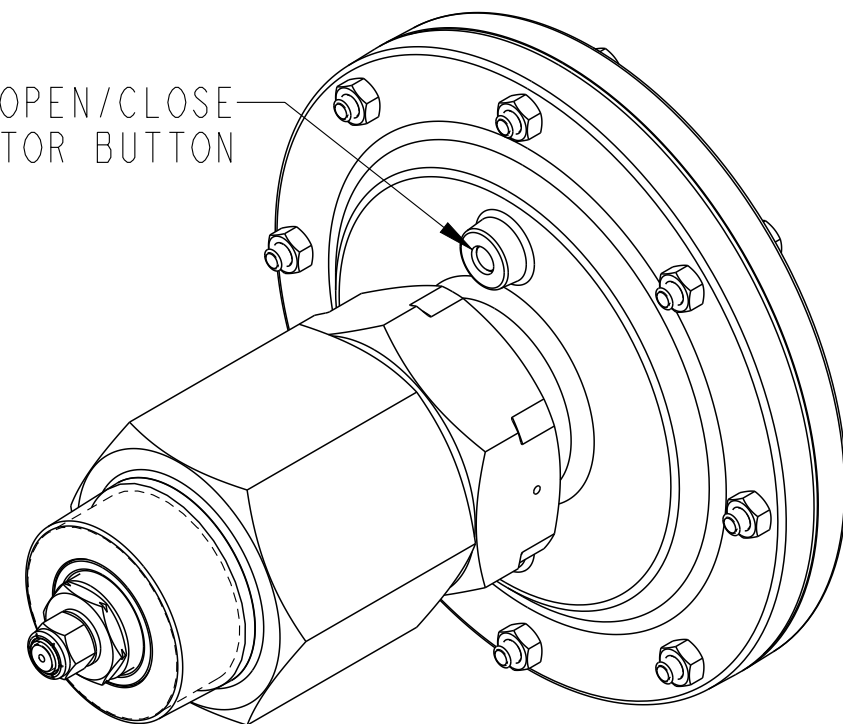
ASSEMBLY DRAWINGS ARE FOR VISUAL REFERENCE ONLY. DUMP VALVE ASSEMBLY MAY DIFFER IN APPEARANCE FROM VIEWS SHOWN



1/8"-27 NPT
PRESSURE INLET PORT



OPEN/CLOSE
INDICATOR BUTTON




KDV-P15-2-1
(STANDARD CONSTRUCTION)

KDV-P15-2-1-S6
(WETTED 316 S.S. CONSTRUCTION)

PRESSURE RATING: 1500 PSI
 MAXIMUM VALVE RELEASE PRESSURE: 70 PSI
 OPERATING TEMPERATURE: -30 TO 250°F
 INTERNAL WETTED PARTS: 303 STAINLESS STEEL (STANDARD)
 NACE MR0175 COMPLIANT 316 STAINLESS STEEL (OPTIONAL)*
 TRIM PLUG SEAL: HIGH PERFORMANCE POLYURETHANE
 BODY: ELECTROLESS NICKEL PLATED CARBON STEEL (STANDARD)
 NACE MR0175 COMPLIANT 316 STAINLESS STEEL (OPTIONAL)*

*SEE ORDERING GUIDE FOR MODEL NO. INFORMATION

| | | | | | | |
|---|---------|-------|---|--|---|----------------|
| D | 4/19/24 | EMJ | ADDED OPTION FOR 316 STAINLESS STEEL | DIM'S IN INCHES TOLERANCES UNLESS OTHERWISE SPECIFIED. |  MATERIAL: SEE B/M RELEASE LEVEL: RELEASED | SEE B/M |
| | N/A | BRC | ADDED VISUAL REFERENCE NOTE | | | |
| C | 1/09/20 | BRC | UPDATED TO REFLECT THE ADDITION OF THE ID TAG | ANGULAR ±1/2° FRACTIONAL ±1/64" (X.X) ±0.015" (X.XX) ±0.010" (X.XXX) ±0.005" MACH FILLET RAD: .031" 125 MAX. FINISH, ALL MACHINED SURFACES. | ENGINEERING Tulsa, Oklahoma USA DRAWING CREATED IN PRO/ENGINEER | DRAWING NUMBER |
| | N/A | KLM | SHOWN ON THIS SHEET. | | | |
| REV. | DATE | DRN. | DESCRIPTION | | TITLE: VALVE, DUMP, KDV-P15-2-1 | DRAWING NUMBER |
| | ECN | CHKD. | | | | |
| PROPRIETARY: THIS DRAWING AND THE INFORMATION CONTAINED HEREIN IS PROPRIETARY TO KENCO ENGINEERING CO. AND SHALL NOT BE REPRODUCED, COPIED, OR DISCLOSED IN WHOLE OR IN PART, OR USED FOR MANUFACTURE OR FOR ANY OTHER PURPOSE WITHOUT THE WRITTEN PERMISSION OF KENCO ENGINEERING. | | | | DRN. BY: BRC | SCALE: 0.600 | 52238 |
| | | | | CHKD. BY: PMM | REVISION: D | |
| | | | | DATE: 03-07-08 | SHEET 1 OF 3 | |