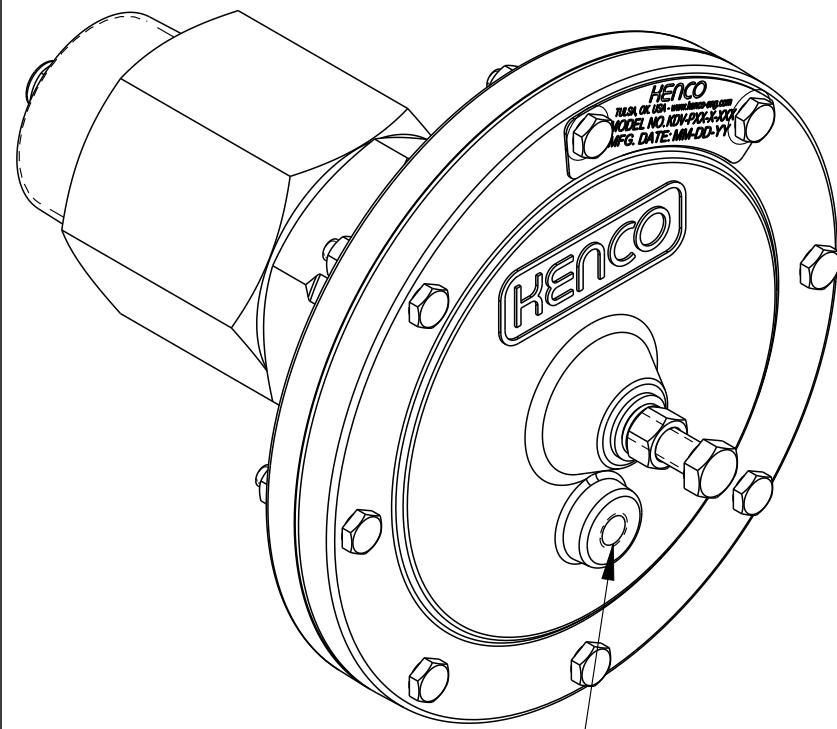
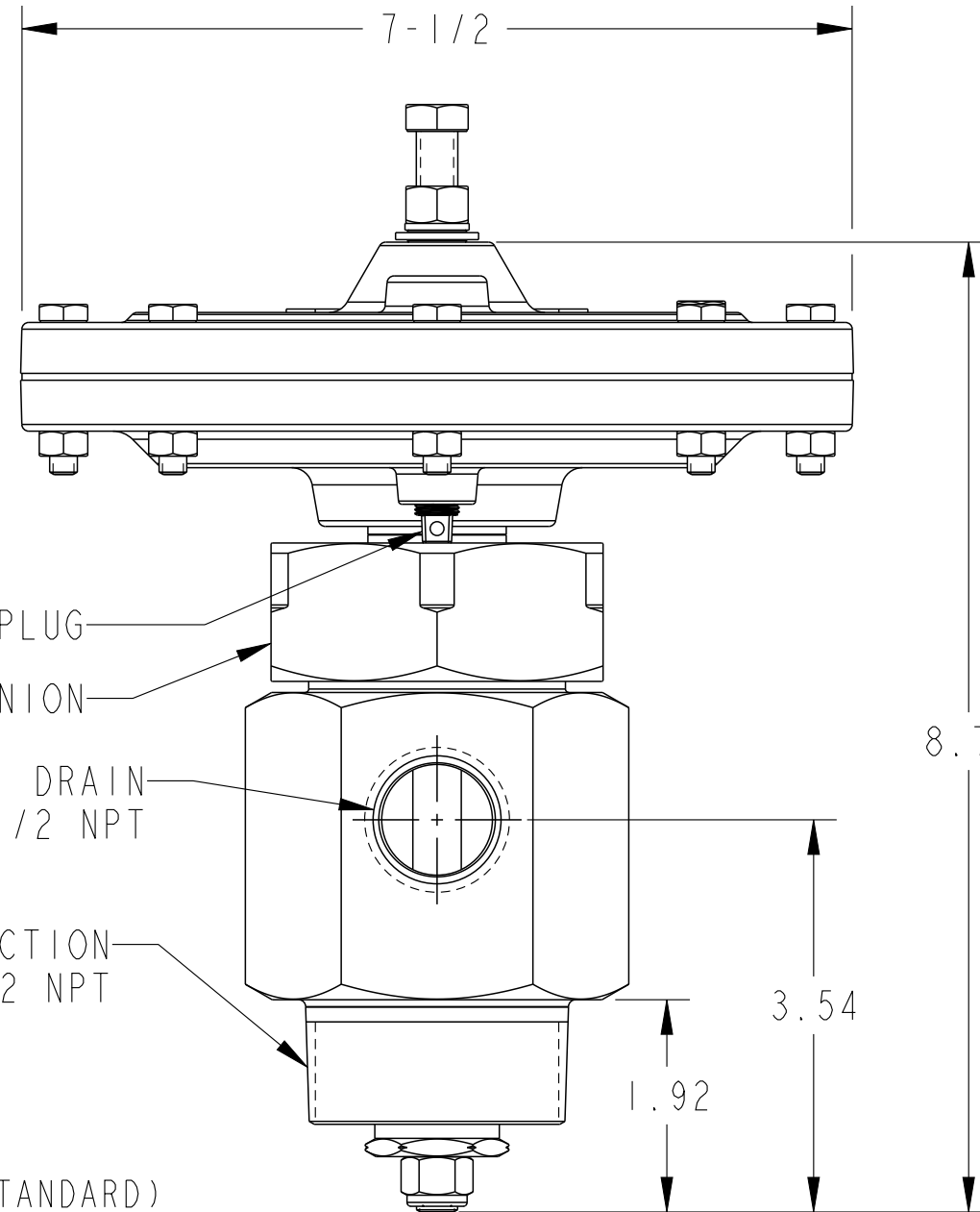


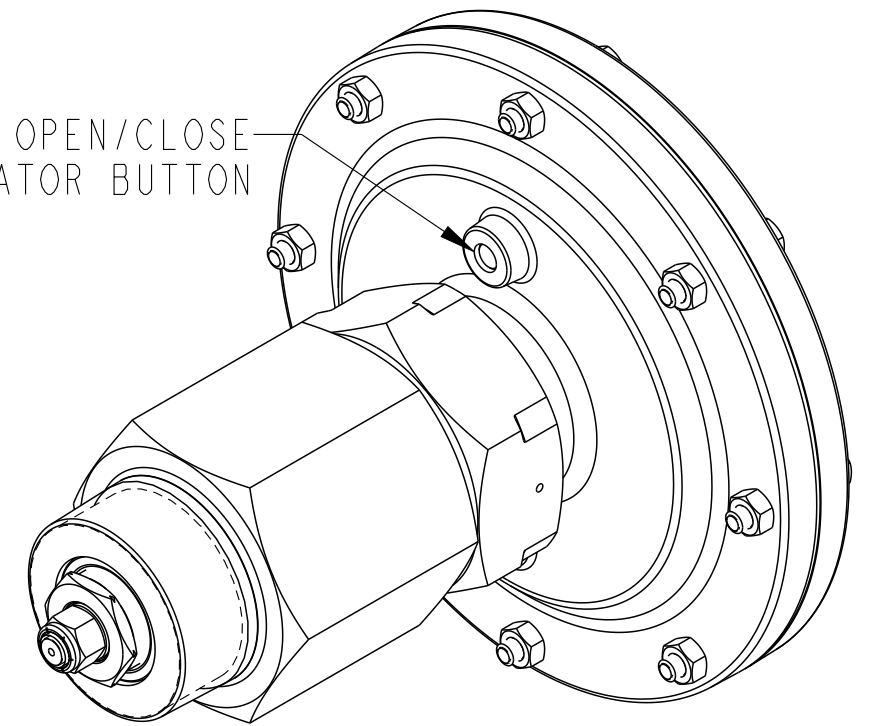
ASSEMBLY DRAWINGS ARE FOR VISUAL REFERENCE ONLY. DUMP VALVE ASSEMBLY MAY DIFFER IN APPEARANCE FROM VIEWS SHOWN



1/8"-27 NPT
PRESSURE INLET PORT



OPEN/CLOSE
INDICATOR BUTTON




PRESSURE RATING: 500 PSI
 MAXIMUM VALVE RELEASE PRESSURE: 35 PSI
 OPERATING TEMPERATURE: -30 TO 250°F
 INTERNAL WETTED PARTS: 303 STAINLESS STEEL (STANDARD)
 NACE MR0175 COMPLIANT 316 STAINLESS STEEL (OPTIONAL)*
 TRIM PLUG SEAL: HIGH PERFORMANCE POLYURETHANE
 BODY: ELECTROLESS NICKEL PLATED CARBON STEEL (STANDARD)
 NACE MR0175 COMPLIANT 316 STAINLESS STEEL (OPTIONAL)*

KDV-P05-2-1
(STANDARD CONSTRUCTION)

KDV-P05-2-1-S6
(WETTED 316 S.S. CONSTRUCTION)

*SEE ORDERING GUIDE FOR MODEL NO. INFORMATION

REV.	DATE	DRN.	DESCRIPTION	DIM'S IN INCHES TOLERANCES UNLESS OTHERWISE SPECIFIED.	 KENCO ENGINEERING Tulsa, Oklahoma USA	MATERIAL:	SEE B/M
D	4/19/24	EMJ	ADDED OPTION FOR 316 STAINLESS STEEL				
	N/A	BRC	ADDED VISUAL REFERENCE NOTE			RELEASE LEVEL:	RELEASED
C	1/09/20	BRC	UPDATED TO REFLECT THE ADDITION OF THE ID TAG			DRAWING CREATED IN PRO/ENGINEER	
	N/A	KLM	SHOWN ON THIS SHEET.	ANGULAR ±1/2° FRACTIONAL ±1/64" (X.X) ±0.015" (X.XX) ±0.010" (X.XXX) ±0.005" MACH FILLET RAD: .031" 125 MAX. FINISH, ALL MACHINED SURFACES.	TITLE: VALVE, DUMP KDV-P05-2-1		
	ECN	CHKD.			DRN. BY: BRC	SCALE: 0.600	DRAWING NUMBER
					CHKD. BY: PMM	REVISION: D	52236
					DATE: 03-06-08	SHEET 1 OF 3	

PROPRIETARY: THIS DRAWING AND THE INFORMATION CONTAINED HEREIN IS PROPRIETARY TO KENCO ENGINEERING CO. AND SHALL NOT BE REPRODUCED, COPIED, OR DISCLOSED IN WHOLE OR IN PART, OR USED FOR MANUFACTURE OR FOR ANY OTHER PURPOSE WITHOUT THE WRITTEN PERMISSION OF KENCO ENGINEERING.