

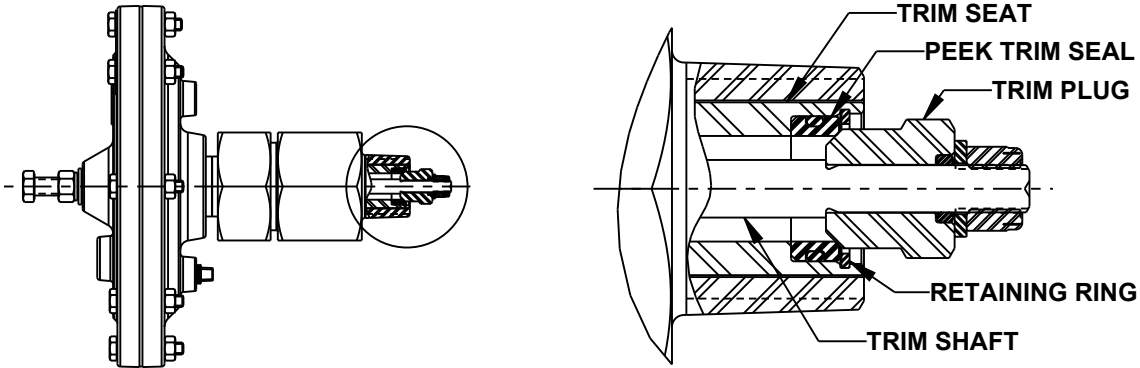
KENCO ENGINEERING COMPANY

P.O. BOX 470426 TULSA, OK 74147-0426 PHONE: (918) 663-4406 FAX: (918) 663-4480
 website: www.kenco-eng.com • email: info@kenco-eng.com

KENCO MODEL KDV DUMP VALVE WITH PEEK TRIM SEAL OPTION

GENERAL DESCRIPTION:

The KENCO Model KDV Series Dump Valves are now available with a PEEK Trim Seal for those who want an alternative to the standard High Performance Polyurethane Trim Seal. PEEK has good wear, abrasion and chemical resistance and is an excellent choice in most oil and gas applications. KDV PEEK Trim Seals differ in design from the Polyurethane Trim Seals in that the seal is statically mounted in the Trim Seat and does not move with the Trim Plug. This allows for a smaller effective pressure area which results in less operating force on the valve at any given pressure when compared to a valve with the Polyurethane Trim Seal. A lower operating force means less wear and tear and longer life for valves in applications that see high pressure combined with high duty cycles.



KENCO MODEL KDV DUMP VALVE WITH PEEK TRIM SEAL

SPECIFICATIONS:

Operating Temperature: -30° F TO 250° F

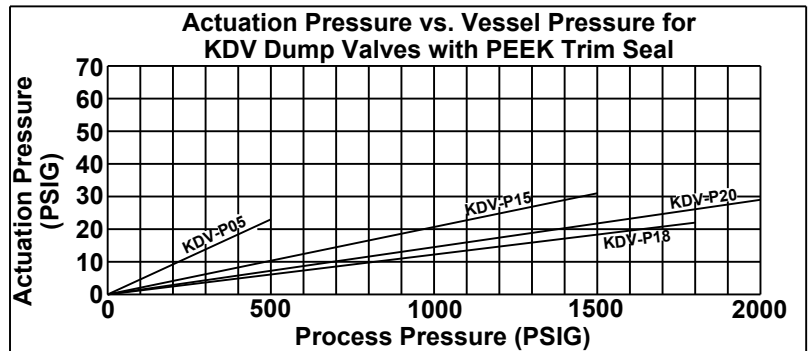
Operating Process Pressure: Up to 2000 psi, depending on Model.

Valve Actuation Pressure: 70 psi max. See chart for minimums required at known process pressure.

(Note: Actuation pressures higher than required are not detrimental to the life of the valve and are acceptable as long as they do not exceed the maximum rating of 70 psi)

Body Material: Nickel Plated 12L14 Carbon Steel

Wetted Materials: Nickel Plated 12L14 Carbon Steel, 303/316 Stainless Steel, Buna, Urethane, PEEK



Ordering Information:

Kenco Model KDV Dump Valves with PEEK Trim Seal can be ordered using the ordering guide shown below.

Kenco Model KDV Dump Valve with 1" Process Connection:

KDV	P18	1	05	PK
Model	Pressure Rating	Process Connection Size	Drain Connection Size	Trim Seal Material
KDV = Kenco Dump Valve	P18 = 1800 psi	1 = 1" MNPT	05 = 1/2" FNPT 075 = 3/4" FNPT	Blank = Polyurethane PK = PEEK

Kenco Model KDV Dump Valve with 2" Process Connection:

KDV	P05	2	1	PK
Model	Pressure Rating	Process Connection Size	Drain Connection Size	Trim Seal Material
KDV = Kenco Dump Valve	P05 = 500 psi P15 = 1500 psi P20 = 2000 psi	2 = 2" MNPT	1 = 1" FNPT	Blank = Polyurethane PK = PEEK

PEEK Trim Seal repair kits may also be used to convert existing Polyurethane Trim equipped KDV Dump Valves to PEEK Trim.

Kenco Model KDV Dump Valve PEEK Trim Seal Repair Kits:

RK	P05S	P15S	P18S	P20S	KDV
RK = Repair Kit	Pressure Rating	Trim Seal Material	Blank = Polyurethane	PK = PEEK	Model = KDV
	P05S = 500 psi P18S = 1800 psi	P15S = 1500 psi P20S = 2000 psi			