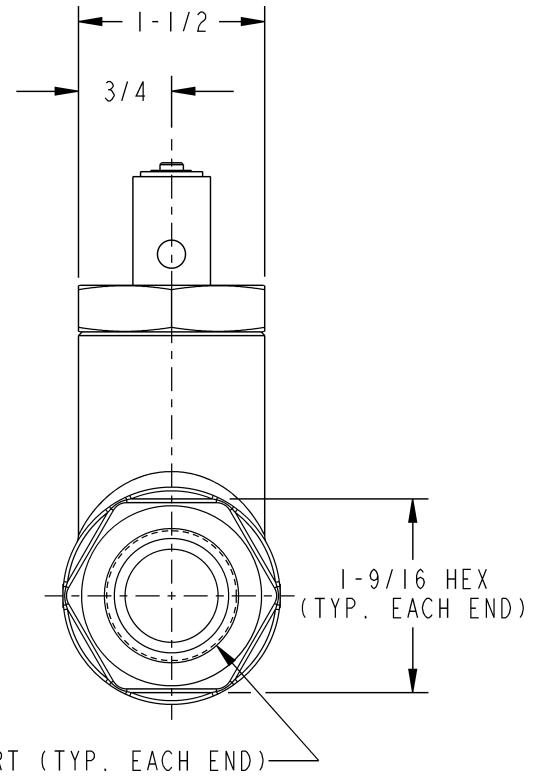
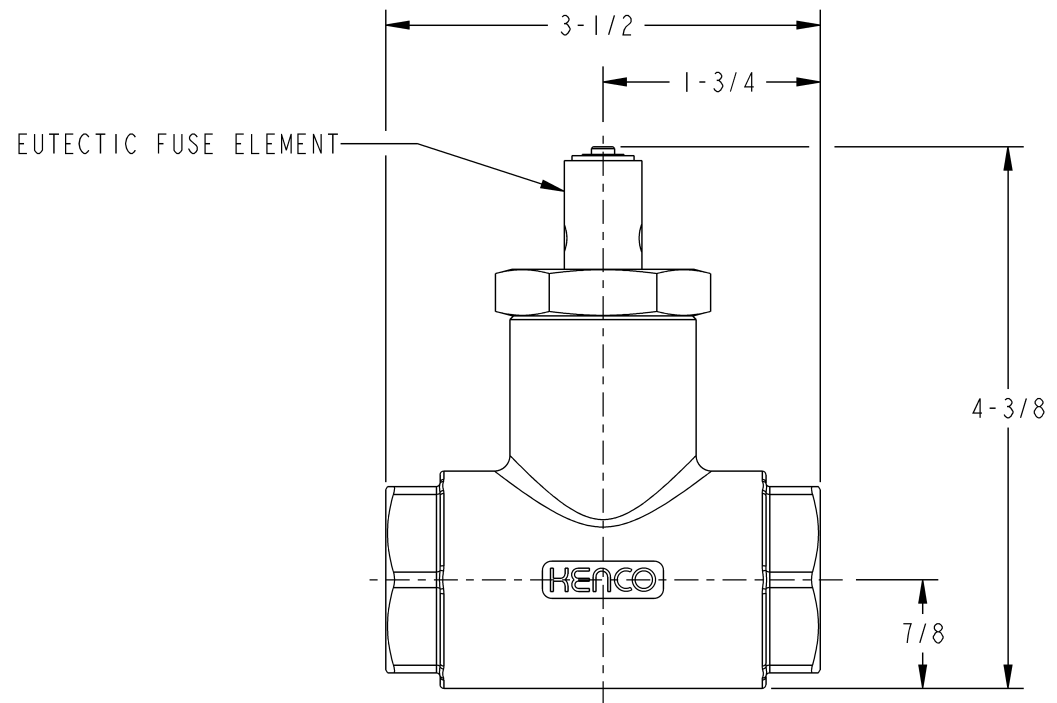


MODEL 75-KFS



MATERIALS OF CONSTRUCTION:
 ALL CARBON STEEL WITH
 17-7 PH STAINLESS STEEL ACTUATOR
 SPRING AND PROPRIETARY EUTECTIC
 FUSE ELEMENT ALLOY.

B	01-07-16 000274	KLM K1	ADDED MATERIALS OF CONSTRUCTION NOTES	DIM'S IN INCHES TOLERANCES UNLESS OTHERWISE SPECIFIED.	 Tulsa, Oklahoma USA	MATERIAL:	SEE B/M
A	11-1-06 N/A	BRC PMM	RELEASED	ANGULAR $\pm 1/2^\circ$ FRACTIONAL $\pm 1/64"$ (X.X) $\pm 0.015"$ (X.XX) $\pm 0.010"$ (X.XXX) $\pm 0.005"$ MACH FILLET RAD: .031" 125 MAX. FINISH ALL MACHINED SURFACES.		RELEASE LEVEL:	RELEASED
REV.	DATE ECN	DRN. CHKD.	DESCRIPTION		TITLE:	DRAWING CREATED IN PRO/ENGINEER	
PROPRIETARY: THIS DRAWING AND THE INFORMATION CONTAINED HEREIN IS PROPRIETARY TO KENCO ENGINEERING CO. AND SHALL NOT BE REPRODUCED, COPIED, OR DISCLOSED IN WHOLE OR IN PART, OR USED FOR MANUFACTURE OR FOR ANY OTHER PURPOSE WITHOUT THE WRITTEN PERMISSION OF KENCO ENGINEERING.					VALVE, FIRE SAFE, 0.75 NPT CS		
					DRN. BY: BRC	SCALE: 1.000	DRAWING NUMBER
					CHKD. BY: PMM	REVISION: B	
					DATE: 11-01-06	SHEET 1 OF 3	50508