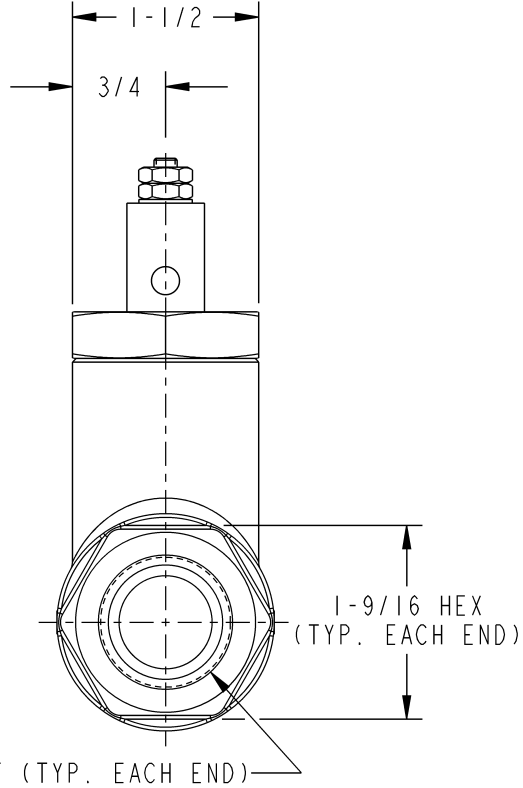
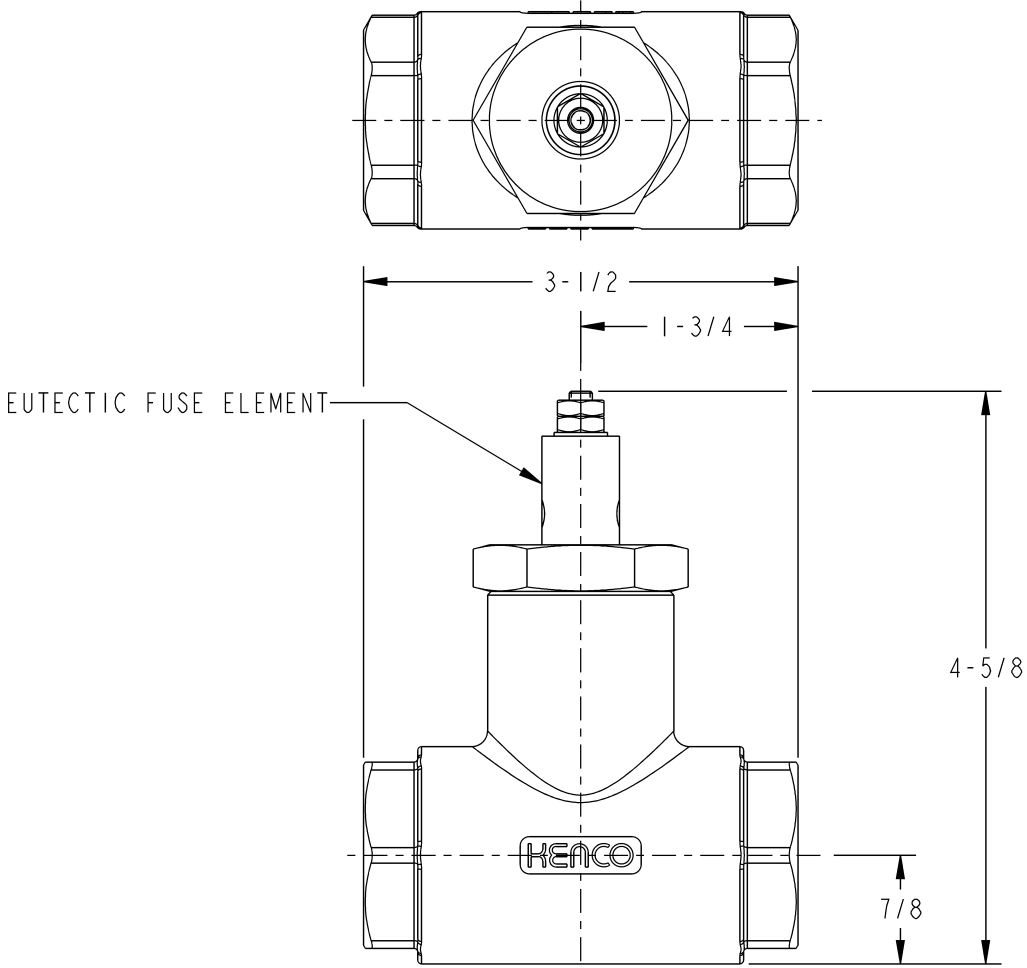


MODEL 75-KFS-SS



3/4" FNPT PORT (TYP. EACH END)

MATERIALS OF CONSTRUCTION:
 ALL 316 STAINLESS STEEL WITH
 17-7 PH STAINLESS STEEL ACTUATOR
 SPRING AND PROPRIETARY EUTECTIC
 FUSE ELEMENT ALLOY.

B	01-07-16	KLM	REVISED NOTES ON SHEET 2 AND 3		DIM'S IN INCHES		 KENCO ENGINEERING Tulsa, Oklahoma USA	MATERIAL:	SEE B/M		
	000274	K1			TOLERANCES UNLESS OTHERWISE SPECIFIED.			RELEASE LEVEL:	RELEASED		
A	7/19/11	BRC	RELEASED		ANGULAR ±1/2° FRACTIONAL ±1/64" (X.X) ±0.015" (X.XX) ±0.010" (X.XXX) ±0.005" MACH FILLET RAD: .031" 125 MAX. FINISH ALL MACHINED SURFACES.		TITLE:	DRAWING CREATED IN PRO/ENGINEER			
REV.	DATE	DRN.	DESCRIPTION				VALVE, FIRE SAFE, 0.75 NPT S6				
	ECN	CHKD.					DRN. BY:	BRC	SCALE:	1.000	DRAWING NUMBER
PROPRIETARY: THIS DRAWING AND THE INFORMATION CONTAINED HEREIN IS PROPRIETARY TO KENCO ENGINEERING CO. AND SHALL NOT BE REPRODUCED, COPIED, OR DISCLOSED IN WHOLE OR IN PART, OR USED FOR MANUFACTURE OR FOR ANY OTHER PURPOSE WITHOUT THE WRITTEN PERMISSION OF KENCO ENGINEERING.							CHKD. BY:	RDM	REVISION:	B	63198
							DATE:	7/19/11	SHEET 1 OF 3		