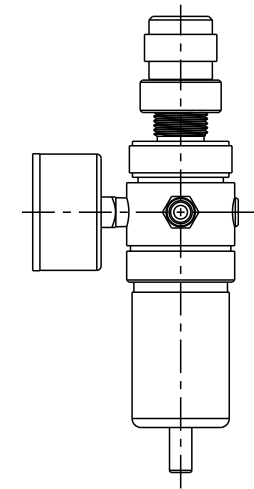
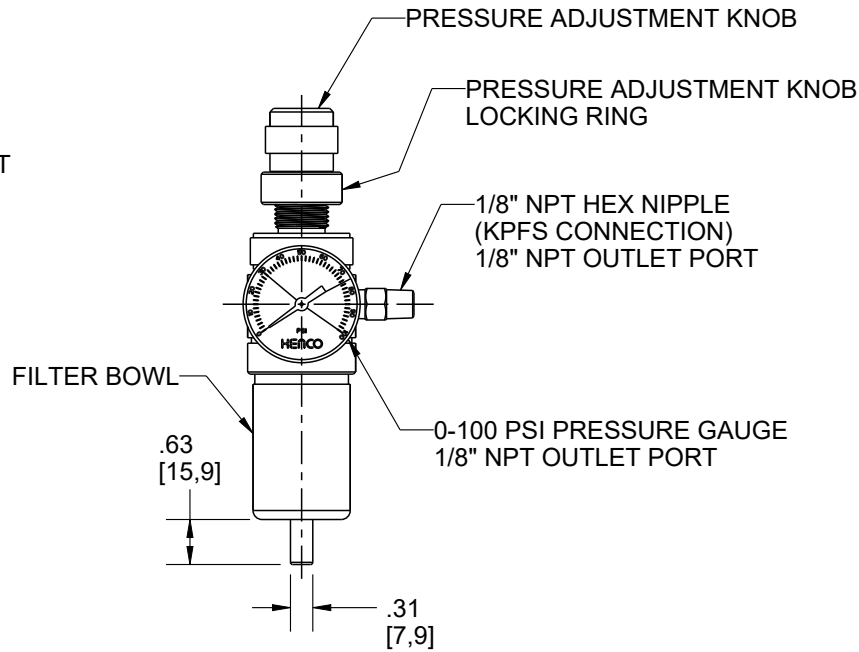
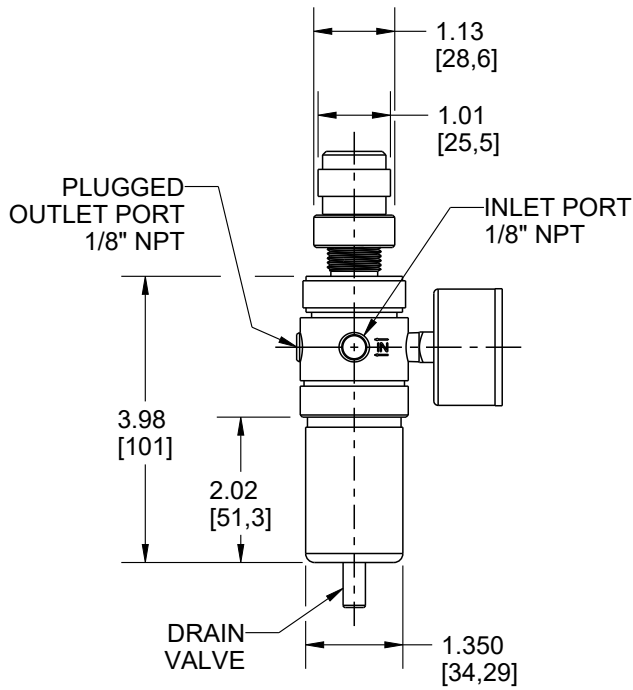


ALL DIMENSIONS SHOWN ARE FOR REFERENCE ONLY



REGULATOR SPECIFICATIONS:

INLET PORT: 1 X 1/8" FNPT
 OUTLET PORTS: 3 X 1/8" FNPT
 PRESURE RANGE: 10-130 PSI
 MAX. INLET PRESSURE: 300 PSI
 MAX. TEMPERATURE: 200°F (93.3°C)
 MIN. TEMPERATURE : 0°F (-17.8°C)
 BONNET MATERIALS: ALUMINUM
 VALVE SEAT MATERIAL: 316 STAINLESS STEEL
 POPPET SEAL MATERIAL: FLUOROELASTOMER
 DIAPHRAGM MATERIAL: FLUOROELASTOMER
 FILTER ELEMENT: 20 MICRON PHENOLIC RESIN

PRESSURE GAUGE SPECIFICATIONS:

PRESSURE RANGE: 0 - 100 PSI
 CASE & BEZEL MATERIAL: 304 STAINLESS STEEL
 MOUNTING STYLE: 1/8" MNPT CENTER MOUNT
 LENS MATERIAL: GLASS
 DAMPING: LIQUID FILLED
 MAX. TEMPERATURE: 180°F (82.2°C)
 MIN. TEMPERATURE: -13°F (-25°C)
 0-30 PSI SECTOR: YELLOW
 30-75 PSI SECTOR: GREEN
 75-100 PSI: RED

NOTE: ALTHOUGH REGULATOR IS CAPABLE OF REGULATING TO PRESSURES AS HIGH AS 130 PSI, IT SHOULD NEVER BE SET AT A PRESSURE HIGHER THAN THE MODEL KPFS's MAXIMUM INLET PRESSURE OF 75 PSI.

				DIM'S IN INCHES	 ENGINEERING Tulsa, Oklahoma USA	MATERIAL:	N/A		
				TOLERANCES UNLESS OTHERWISE SPECIFIED.		RELEASE LEVEL:	RELEASED		
B	1/31/24	BRC	ADDED TEMPERATURE RANGE	ANGULAR ± 1/2° FRACTIONAL ± 1/64" (X.X ± 0.015") (X.XX ± 0.010") (X.XXX) ± 0.005" MACH FILLET RAD-.031" 125 MAX. FINISH, ALL MACHINED SURFACES.	DRAWING CREATED IN PRO/ENGINEER				
	N/A	KM			TITLE:	MODEL KPFS FILTER/REGULATOR SPECIFICATIONS			
REV.	DATE	DRN.	DESCRIPTION		DRN. BY:	BRC	SCALE:	0.375	DRAWING NUMBER
	ECN	CHKD.			CHKD. BY:	-	REVISION:	B	
PROPRIETARY: THIS DRAWING AND THE INFORMATION CONTAINED HEREIN IS PROPRIETARY TO KENCO ENGINEERING CO. AND SHALL NOT BE REPRODUCED, COPIED, OR DISCLOSED IN WHOLE OR IN PART, OR USED FOR MANUFACTURE OR FOR ANY OTHER PURPOSE WITHOUT THE WRITTEN PERMISSION OF KENCO ENGINEERING.				DATE:	05-05-22	SHEET 1 OF 1			