

5700 / 7000 / 17000 SERIES

INJECTION RATE GAUGES

5700 RATE GAUGE WITH 1/2" CONNECTIONS



5700 Rate Gauge with Optional Flange Connection

7000 RATE GAUGE WITH 3/4" TEST VALVE CONNECTION



17000 RATE GAUGE WITH 1" CONNECTIONS



APPLICATIONS:

5700, 7000 and 17000 Rate Gauges provide a visual means for tank level indication and calibrating the pump rate of a chemical metering pump. They are ideal for level indication and pump calibration needs on portable IBC chemical storage tanks. Gauges can be ordered in whatever length is required to fit the height of your storage tank or meet your chemical metering pump calibration needs. Gauges operate in low to medium pressure applications.

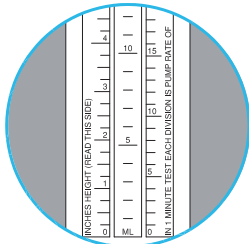
OPERATING PRINCIPLE:

The injection rate of a chemical metering pump is checked by closing a valve between the gauge and the chemical storage tank and observing the change in liquid height in one minute. Using the rate scale on the front of the polycarbonate shield, count the number of marks the liquid level passed during the one minute test period. This will give you the actual chemical pump rate. If the rate is not the one desired, make an adjustment to the chemical pump feed rate and conduct as many one minute tests necessary to set the chemical pump to the rate desired.

FEATURES:

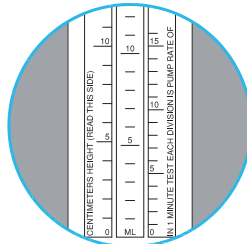
- 5700 Series Rate Gauge has 1/2" MNPT x 3/8" FNPT connections on each end, but flanged connections are also available. The standard sight tube is 5/8" O.D. glass. Other sight tube materials are available upon request.
- 7000 Series Rate Gauge is a 5700 Rate Gauge equipped with a spring-loaded test valve on lower end to isolate the chemical storage tank from the gauge for quick and easy chemical metering pump calibration.
- 17000 Series Rate Gauge has 1" MNPT connections on each end, but flanged connections are also available. The standard sight tube is 1" O.D. glass, which makes it ideal for viscous liquids.
- The armored design of each gauge offers maximum protection for the sight tube from mechanical impact. Three sides of the gauge are protected with a metal frame, while the face of the gauge is protected by an impact resistant clear polycarbonate shield.
- Sight tube shield can be custom calibrated to read tank volume or any other desired calibration.
- A wide variety of wetted materials are available to ensure compatibility with most any liquid.
- For mounting purposes, a mounting lug is welded to the back of the gauge.

SILK SCREENED RATE SCALES AND CUSTOM ENGRAVED SCALES:



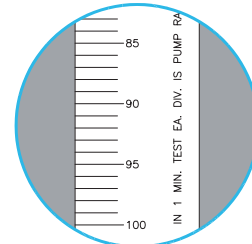
"RH"

Silk screened rate/height shield calibrated in quarts per day, milliliters per minute and height in inches



"MRH"

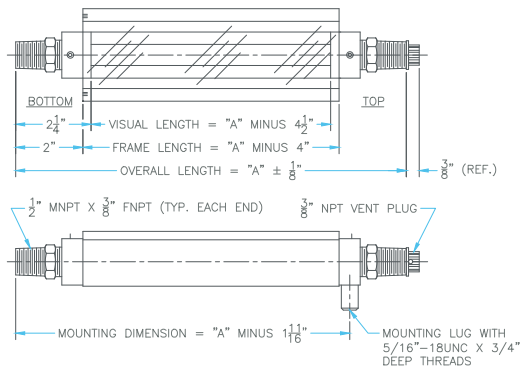
Silk screened metric rate/height shield calibrated in liters per day, milliliters per minute and height in centimeters



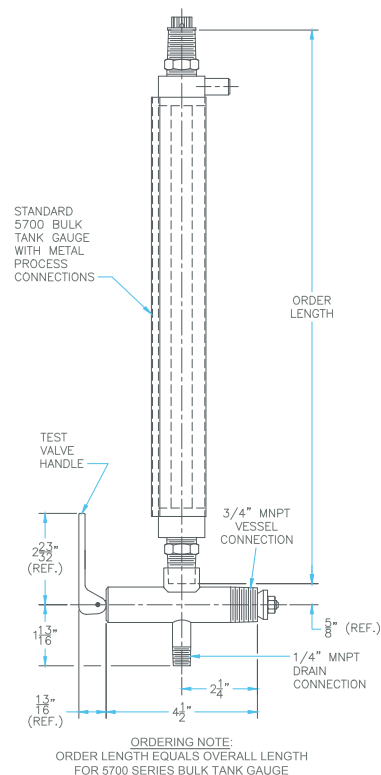
"S"

Custom engraved shield with scale(s) to meet your application requirements (tank volume, percent, etc.)

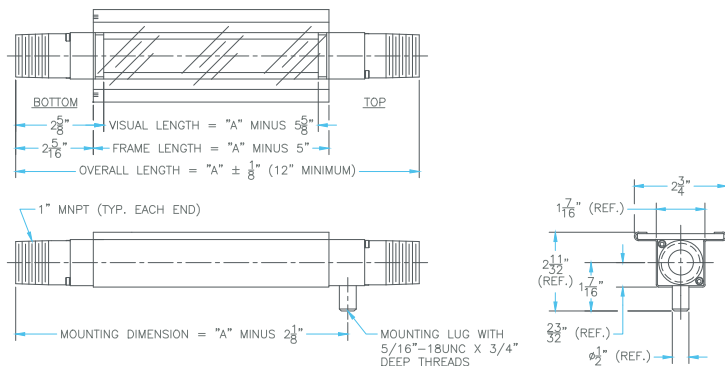
5700 INJECTION RATE GAUGE



7000 INJECTION RATE GAUGE



17000 INJECTION RATE GAUGE



ORDERING SYSTEM

5700, 7000 & 17000 Injection Rate Gauges

REQUESTED BY: _____ COMPANY: _____

ADDRESS: _____ CITY: _____ STATE: _____ ZIP: _____

PHONE: _____ FAX: _____ EMAIL: _____

Gauge Style	Flange Option	Overall Length of Gauge (Inches)	Material of Construction*	Seal Material
5700 = Gauge w/ 1/2" MNPT Connections 17000 = Gauge w/ 1" MNPT Connections 7000 = Gauge w/ 1/2" MNPT Connections & Test Valve with 3/4" & 1/4" MNPT Connections • Flange not available for 7000 gauge	N = None (Leave Blank) FL50 = 1/2" 150# Flange FL75 = 3/4" 150# Flange FL1.0 = 1" 150# Flange FL1.5 = 1 1/2" 150# Flange FL2.0 = 2" 150# Flange Other (please specify above)		C = Zinc Plated Carbon Steel A = Stainless Steel W = 316 Stainless Steel Wetted Parts w/Carbon Steel Frame PC = PVC Wetted Parts w/Carbon Steel Frame PS = PVC Wetted Parts w/Stainless Steel Frame Other (please specify above) • For flanged models, select options C, A, PC or PS only	V = Fluorocarbon A = Aflas B = Buna-N T = (5700/7000) PTFE (17000) FEP Encapsulated Silicone E = Ethylene Propylene K = Kalrez 4079 (5700 & 17000 Only) • "T" seals on gauges with "PC" and "PS" options are FEP Encapsulated Silicone
Shield Options**	Sight Tube Options***	Maximum Working Pressure (PSIG)	Maximum Operating Temperature (°F)	Steam
L = Clear Polycarbonate H = Height Scale RH = Rate Height Scale MH = Metric Height Scale MRH = Metric Rate Height Scale	GS = 5/8" O.D. Glass (5700/7000) 1" O.D. Glass (17000) RL = 5/8" O.D. Redline Glass (5700) 1" O.D. Redline Glass (17000)			S = Steam Application NS = Non-Steam Application

• Example Order Number: 5700-52-ATRH-GS-ATM-110-NS
 * PC & PS option not available on 7000 series injection rate gauge
 ** See page 10 or visit www.kenco-eng.com for shield descriptions
 *** Based on application data provided, Kenco will select the appropriate sight tube material, i.e. high pressure glass.