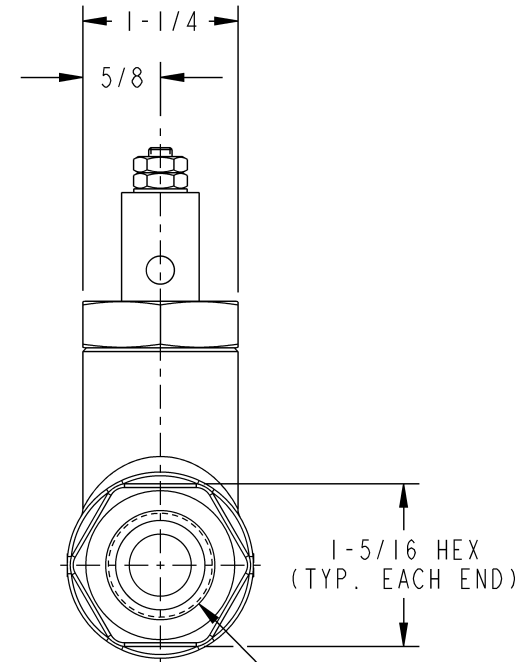
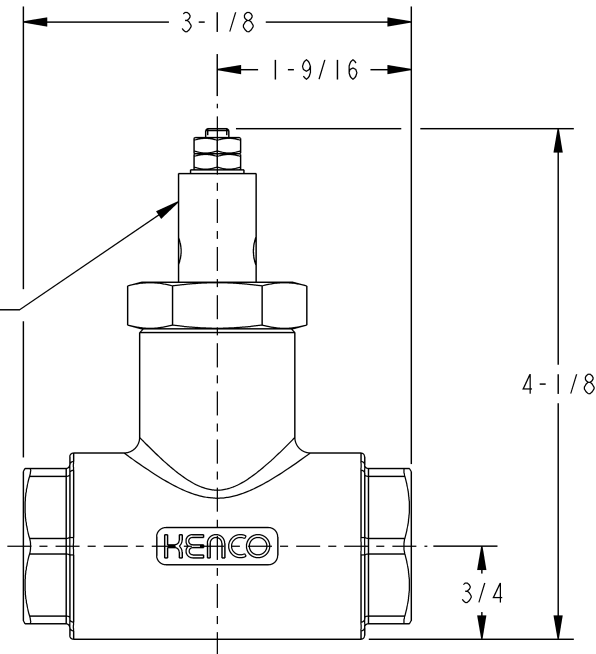



MODEL 50-KFS-SS

EUTECTIC FUSE ELEMENT



1/2" FNPT PORT (TYP. EACH END)

MATERIALS OF CONSTRUCTION:
 ALL 316 STAINLESS STEEL WITH
 17-7 PH STAINLESS STEEL ACTUATOR
 SPRING AND PROPRIETARY EUTECTIC
 FUSE ELEMENT ALLOY.

B	01-07-16	KLM	REVISED NOTES ON SHEETS 2 AND 3		DIM'S IN INCHES	 KENCO ENGINEERING Tulsa, Oklahoma USA	MATERIAL:	SEE B/M			
	000274	KI	RELEASED		TOLERANCES UNLESS OTHERWISE SPECIFIED.		RELEASE LEVEL:	RELEASED			
A	7/14/11	BRC	RELEASED		ANGULAR	TITLE: VALVE, FIRE SAFE, 0.50 NPT S6	DRAWING CREATED IN PRO/ENGINEER				
	000085	RDM	DESCRIPTION		FRACTIONAL		DRN. BY:	BRC	SCALE:	1.000	DRAWING NUMBER
REV.	DATE	DRN.			(X.X) ±0.015"		CHKD. BY:	RDM	REVISION:	B	63197
	ECN	CHKD.			(X.XXX) ±0.005"	DATE:	7/14/11	SHEET 1 OF 3			
PROPRIETARY: THIS DRAWING AND THE INFORMATION CONTAINED HEREIN IS PROPRIETARY TO KENCO ENGINEERING CO. AND SHALL NOT BE REPRODUCED, COPIED, OR DISCLOSED IN WHOLE OR IN PART, OR USED FOR MANUFACTURE OR FOR ANY OTHER PURPOSE WITHOUT THE WRITTEN PERMISSION OF KENCO ENGINEERING.					MACH FILLET RAO: .031" 125 MAX. FINISH. ALL MACHINED SURFACES.						