



## PSG-30,000 SERIES AccuRate® PUMP SETTING GAUGES

### APPLICATIONS

The Kenco PSG-30,000 series Pump Setting Gauges utilize individually calibrated scales based on the inside diameter of the sight tube to provide an extremely accurate reading when calibrating the flow rate of a chemical metering pump. Gauges can also be used to periodically monitor pump performance, accuracy of a chemical injection system, or as a primary containment reservoir for liquid pumped into a chemical injection system.

### OPERATING PRINCIPLE

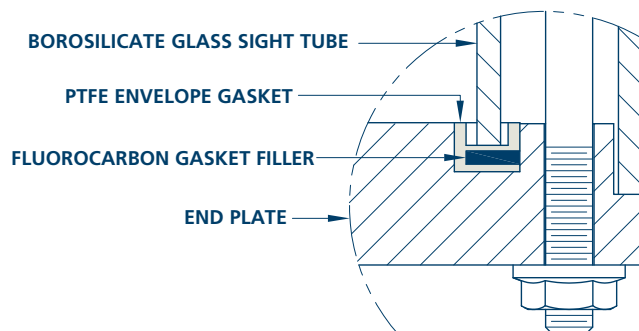
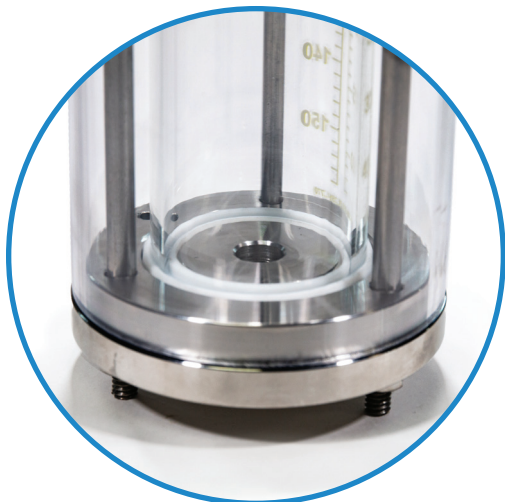
To check the flow rate of a chemical pump, isolate the chemical in the storage tank from the Pump Setting Gauge. Keep the isolation valve closed and observe the number of scale markings the liquid level passes in one minute. This will give you the actual chemical pump flow rate. If the rate is not the one desired, make an adjustment to the chemical metering pump feed rate and conduct as many one minute tests as necessary to achieve the chemical feed rate desired. The Pump Setting Gauge sight tube has a decal with (2) calibrated scales. The scale on the left side is a volume scale in milliliters (ML). In a one minute test, the scale will read the pump rate in milliliters per minute. The scale on the right side will depend on the desired flow rate unit of measure; i.e. Gallons per Day (GPD), Gallons per Hour (GPH), Liters per Day (LPD), Liters per Hour (LPH), U.S. Gallons by Volume (GBV) or Liters by Volume (LBV).



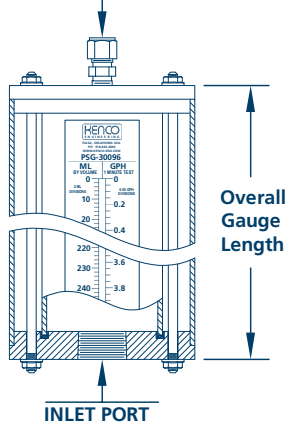
### GAUGE FEATURES

- Direct-Reading Volume/Rate scales on the sight tube are individually calibrated to the inside diameter of the glass to maintain a high level of accuracy.
- Scales are highly visible and labeled with well-sized characters for easy reading against all liquids.
- Six scale options are available: Gallons per Day (GPD), Gallons per Hour (GPH), Liters per Day (LPD), Liters per Hour (LPH), U.S. Gallons by Volume (GBV) and Liters by Volume (LBV). Each scale option includes a volume scale in milliliters (ML).
- Gauge sizes cover a broad range of flow rates from 16 Gallons per Day (60.57 Liters per Day) to 1440 Gallons per Day (5450.99 Liters per Day).
- Sight tube on all models is made from borosilicate glass.
- Clear thermoplastic sight tube shield for impact resistance is standard on all models.
- Close fit between inside diameter of sight tube shield and end plates enhances the structural stability of gauge and helps keep out unwanted contaminants between sight tube and shield.
- Lower end plate has drain hole(s) to prevent condensation build up.
- End plates are available in 316 stainless steel, PVC, CPVC, Alloy 20 and Hastelloy C-276. Other materials available upon request.
- Engineered PTFE envelope sight tube gaskets ensure compatibility with most liquids. Each has an integral PTFE isolation barrier to prevent glass from making contact with end plates and a fluorocarbon filler that provides a constant load on gaskets to ensure a positive seal.

### SIGHT TUBE GASKET DESIGN

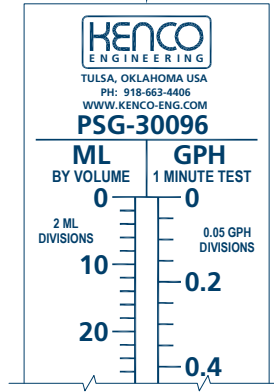


GAUGES WITH S6 / PVC END PLATES  
(EXCEPT PSG-31440) ARE SUPPLIED WITH A  
3/8" OD TUBE X 1/4" NPT VENT TUBE CONNECTOR



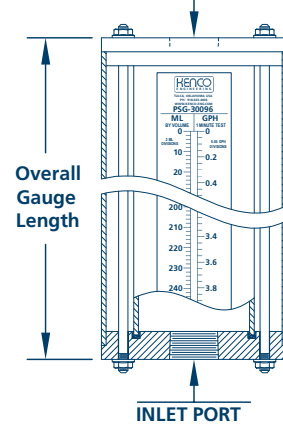
GAUGES WITH VENT TUBE CONNECTOR

ALL GAUGE CALIBRATION SCALES  
HAVE A VOLUME SCALE IN  
MILLILITERS ON LEFT-HAND SIDE



CALIBRATION SCALE ILLUSTRATION

GAUGES WITH CPVC / A20 / HC END PLATES AND  
ALL PSG-31440 GAUGES ARE NOT SUPPLIED WITH  
A VENT TUBE CONNECTOR



GAUGES WITHOUT VENT TUBE CONNECTOR

## PUMP SETTING GAUGE SPECIFICATIONS

GAUGE MODEL NUMBER	MAXIMUM PUMPING RATE (BASED ON A 1 MINUTE TEST)				GAUGE VOLUME			INLET PORT SIZE**	VENT PORT SIZE*	OVERALL GAUGE LENGTH	END PLATE OUTSIDE DIAMETER
	GPD	GPH	LPD	LPH	ML	GBV	LBV				
PSG-30016	16	0.67	60.57	2.52	42.06	0.01	0.04	1/4" NPT	1/4" NPT	18-5/16"	2-1/2"
PSG-30030	30	1.25	113.56	4.73	78.86	0.02	0.08	1/4" NPT	1/4" NPT	15-11/32"	2-1/2"
PSG-30060	60	2.50	227.12	9.46	157.73	0.04	0.16	1/2" NPT	1/4" NPT	17-1/2"	2-1/2"
PSG-30096	96	4.00	363.40	15.14	252.36	0.07	0.25	1/2" NPT	1/4" NPT	17-21/32"	3"
PSG-30144	144	6.00	545.10	22.71	378.54	0.10	0.38	1/4" NPT	1/4" NPT	14-1/4"	3-1/2"
PSG-30216	216	9.00	817.65	34.07	567.81	0.15	0.57	1/2" NPT	1/4" NPT	15-5/16"	4"
PSG-30280	280	11.67	1059.92	44.16	736.05	0.19	0.74	1/2" NPT	1/4" NPT	15-17/32"	4"
PSG-30420	420	17.50	1589.87	66.24	1104.08	0.29	1.10	1/2" NPT	1/4" NPT	15-15/32"	4-1/2"
PSG-30580	580	24.17	2195.54	91.48	1524.68	0.40	1.52	3/4" NPT	1/4" NPT	15-21/32"	5"
PSG-30700	700	29.17	2649.79	110.41	1840.13	0.49	1.84	3/4" NPT	1/4" NPT	15-5/16"	5-1/2"
PSG-31440	1440	60.00	5450.99	227.12	3785.41	1.00	3.79	1" NPT	1" NPT	16-7/16"	7"

\*Model PSG-31440 and gauges constructed with CPVC / A20 / HC end plates are not supplied with a vent tube connector.

Note: 3/8" OD tube x 1/4" NPT vent tube connector is 316 S.S. on gauges with S6 end plates and polypropylene on gauges with PVC end plates.

\*\*Inlet port sizes and types shown are standard, but other sizes and types, such as flanged, are available upon request.

## ORDERING GUIDE

REQUESTED BY: \_\_\_\_\_ COMPANY: \_\_\_\_\_

ADDRESS: \_\_\_\_\_ CITY: \_\_\_\_\_ STATE: \_\_\_\_\_ ZIP: \_\_\_\_\_

PHONE: \_\_\_\_\_ FAX: \_\_\_\_\_ EMAIL: \_\_\_\_\_

### Gauge Model Number

PSG-30016 PSG-30280  
PSG-30030 PSG-30420  
PSG-30060 PSG-30580  
PSG-30096 PSG-30700  
PSG-30144 PSG-31440  
PSG-30216

### End Plate Material

S6 = 316 Stainless Steel  
P = PVC  
C = CPVC  
A20 = Alloy 20  
HC = Hastelloy C-276  
Other (Please specify above)

 T

### Gasket Material

T = PTFE Envelope with  
Fluorocarbon Filler

### Calibration Scale

GPD = Gallons Per Day  
GPH = Gallons Per Hour  
LPD = Liters Per Day  
LPH = Liters Per Hour  
GBV = Gallons By Volume  
LBV = Liters By Volume

• Example Order Number: PSG-30016-S6-T-LPH

• Please contact Kenco to request a quote for options not covered by gauge specifications shown above.

Represented by:

Kenco Sales Offices:

#### Headquarters

10001 E. 54th St.  
Tulsa, OK 74146  
phone 918.663.4406  
fax 918.663.4480  
www.kenco-eng.com  
email: info@kenco-eng.com

#### Baton Rouge Office

11616 Industriplex, Suite 7  
Baton Rouge, LA 70809  
phone 225.755.1912  
fax 225.755.1913  
www.kenco-eng.com  
email: kenco-la@kenco-eng.com

93690 7-16-24

