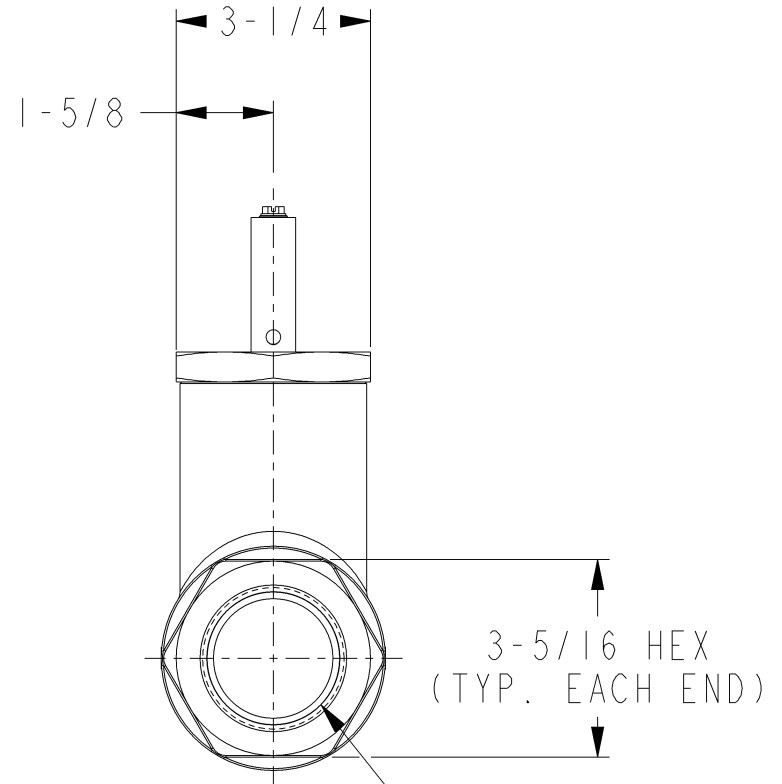
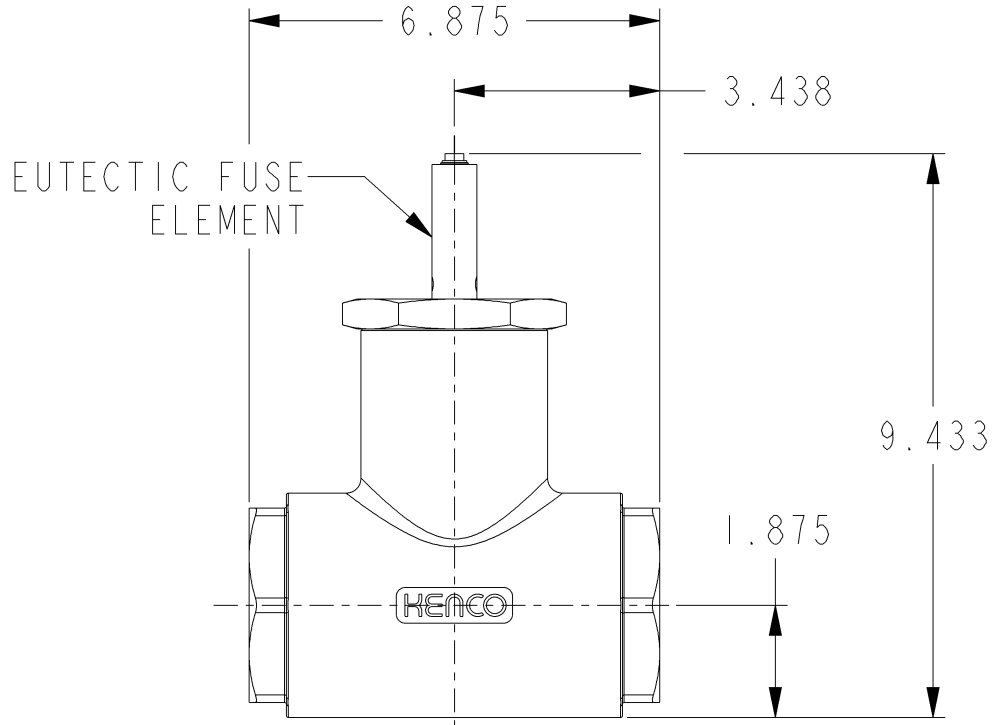
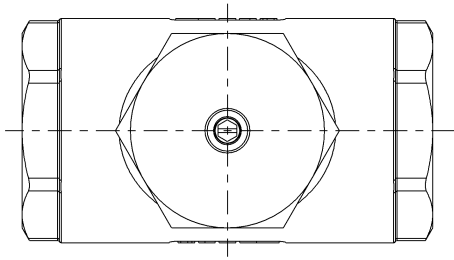


MODEL 20-KFS & 20-KFS-SS



MATERIALS OF CONSTRUCTION:

CARBON STEEL:

CARBON AND STAINLESS STEEL WITH INCONEL STAINLESS STEEL ACTUATOR SPRING AND PROPRIETARY EUTECTIC FUSE ELEMENT ALLOY

STAINLESS STEEL:

ALL STAINLESS STEEL WITH INCONEL STAINLESS STEEL ACTUATOR SPRING AND PROPRIETARY EUTECTIC FUSE ELEMENT ALLOY

2" FNPT PORT
(TYP. EACH END)

			DIM'S IN INCHES TOLERANCES UNLESS OTHERWISE SPECIFIED.			MATERIAL:	SEE B/M
						RELEASE LEVEL:	RELEASED
A	8/14/17	BRC	RELEASED			DRAWING CREATED IN PRO/ENGINEER	
REV.	DATE	DRN.	DESCRIPTION			DRAWING NUMBER	
	ECN	CHKD.				DRN. BY: BRC	SCALE: 0.625
			FRACTIONAL ±1/64" (X.X) ±0.015" (X.XX) ±0.010" (X.XXX) ±0.005" MACH FILET RAD. 0.31" 125-MAX. FINISH, ALL MACHINED SURFACES.		CHKD. BY: RDM	REVISION: A	
PROPRIETARY: THIS DRAWING AND THE INFORMATION CONTAINED HEREIN IS PROPRIETARY TO KENCO ENGINEERING CO. AND SHALL NOT BE REPRODUCED, COPIED, OR DISCLOSED IN WHOLE OR IN PART, OR USED FOR MANUFACTURE OR FOR ANY OTHER PURPOSE WITHOUT THE WRITTEN PERMISSION OF KENCO ENGINEERING.					DATE: 08-02-17	SHEET 1 OF 3	78508