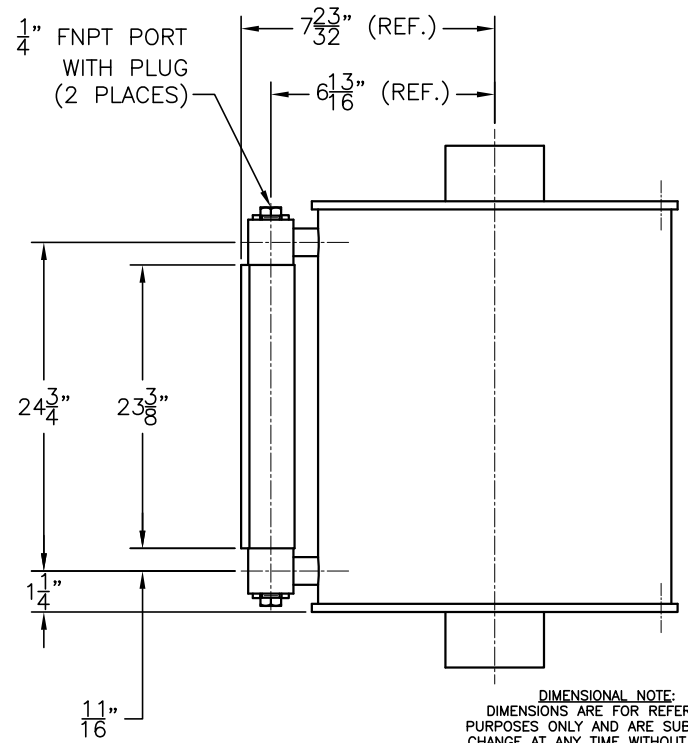


| ORDERING INFORMATION | | | |
|----------------------|---------------|-----------------|-------------------|
| MODEL NUMBER | TANK MATERIAL | SEAL MATERIAL | SCALE CALIBRATION |
| 15864 | CS OR SS | A, B, E, V OR T | SEE TABLE BELOW |

EXAMPLE MODEL NUMBER: 15864-SS-V-GPH

| SCALE CALIBRATION OPTIONS / DEFINITIONS | MAXIMUM PUMPING RATE/GAUGE VOLUME | SCALE CALIBRATION INCREMENT VALUE |
|---|-----------------------------------|-----------------------------------|
| GPH=GALLONS PER HOUR | 440 | 5 |
| LPH=LITERS PER HOUR | 1665.58 | 20 |
| GPD=GALLONS PER DAY | 10560 | 100 |
| LPD=LITERS PER DAY | 39973.82 | 500 |
| GBV=GALLONS BY VOLUME | 7.33 | 0.1 |
| LBV=LITERS BY VOLUME | 27.76 | 0.25 |

NOTE: GPH/LPH/GPD/LPD SCALES ARE BASED ON A ONE MINUTE TEST.
 WETTED PARTS: TANK, SIGHT TUBE AND SIGHT TUBE O-RING SEALS



DIMENSIONAL NOTE:
 DIMENSIONS ARE FOR REFERENCE
 PURPOSES ONLY AND ARE SUBJECT TO
 CHANGE AT ANY TIME WITHOUT NOTICE.

PART NUMBER AND MATERIAL DESIGNATION:

| | | |
|--------------------|------------------|---|
| <u>DRAWING NO.</u> | <u>MODEL NO.</u> | <u>MATERIAL:</u> |
| C-15864-CS | 15864-CS | (CARBON STEEL TANK WITH 316/316L STAINLESS STEEL WETTED PARTS ON SIGHT GAUGE) |
| C-15864-SS | 15864-SS | (316/316L STAINLESS STEEL WETTED PARTS) |
| C-15864-S6 | 15864-S6 | (316/316L STAINLESS STEEL CONSTRUCTION) |

| REV. | DATE | BY | CHKD. | ECN | EXPLANATION: |
|------|----------|-----|-------|--------|---|
| A | 05-05-10 | DS | PAS | 000008 | ITEM 6 WAS P-13698; ADDED SHEET 2 OF 2; ADDED 13114-A |
| B | 07-19-19 | BRC | DS | 000299 | UPDATED TO REFLECT CHANGE TO 3000 LB. COUPLING.; ADDED -S6 OPTION |
| | | | | | |
| | | | | | |
| | | | | | |

| | | |
|---|---------------|----------------|
| KENCO ENGINEERING COMPANY TULSA, OKLAHOMA | | |
| POT, CALIBRATION (OUTLINE) MODEL NO. 15864 | | |
| DATE: 09-27-05 | SHEET: 1 OF 2 | DRAWING NUMBER |
| DRN. BY: DS | CHKD. BY: KI | C-15864 |
| SCALE: NONE | REVISION: B | |