

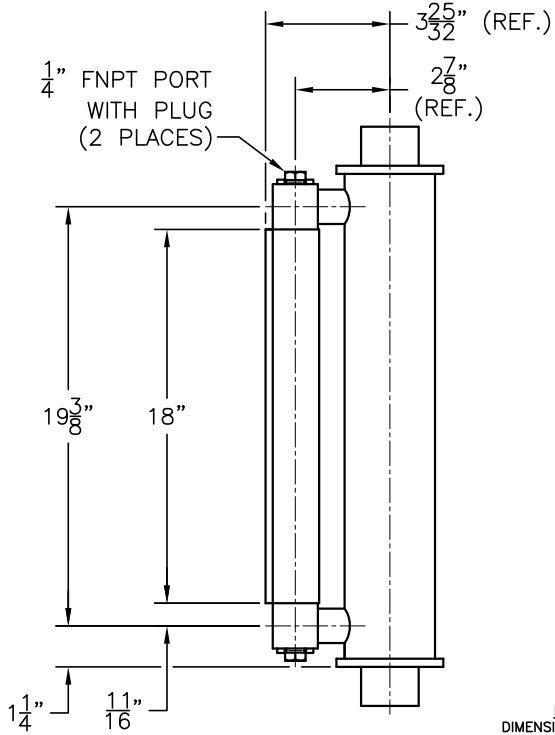
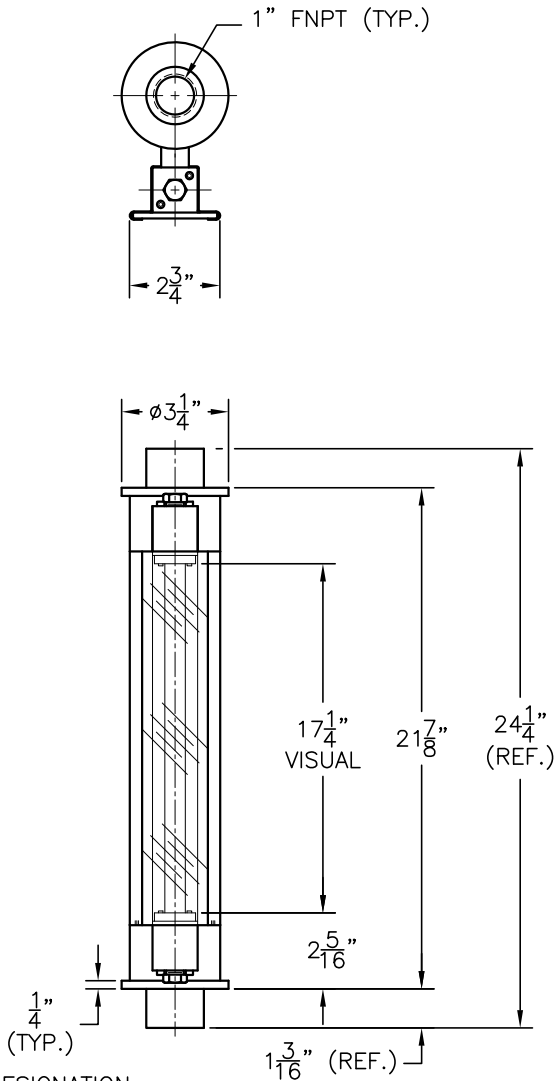
ORDERING INFORMATION			
MODEL NUMBER	TANK MATERIAL	SEAL MATERIAL	SCALE CALIBRATION
15848	CS OR SS	A, B, E, V OR T	SEE TABLE BELOW

EXAMPLE MODEL NUMBER: 15848-SS-V-GPH

SCALE CALIBRATION OPTIONS / DEFINITIONS	MAXIMUM PUMPING RATE/GAUGE VOLUME	SCALE CALIBRATION INCREMENT VALUE
GPH=GALLONS PER HOUR	20	0.5
LPH=LITERS PER HOUR	75.71	1
GPD=GALLONS PER DAY	480	10
LPD=LITERS PER DAY	1816.99	25
GBV=GALLONS BY VOLUME	0.33	0.005
LBV=LITERS BY VOLUME	1.26	0.02

NOTE: GPH/LPH/GPD/LPD SCALES ARE BASED ON A ONE MINUTE TEST.

WETTED PARTS: TANK, SIGHT TUBE AND SIGHT TUBE O-RING SEALS



DIMENSIONAL NOTE:  
DIMENSIONS ARE FOR REFERENCE  
PURPOSES ONLY AND ARE SUBJECT TO  
CHANGE AT ANY TIME WITHOUT NOTICE.

INFORMATION IS PROPRIETARY TO KENCO ENGINEERING CO.

PART NUMBER AND MATERIAL DESIGNATION:

DRAWING NO.	MODEL NO.	MATERIAL:
C-15848-CS	15848-CS	(CARBON STEEL TANK WITH 316/316L STAINLESS STEEL WETTED PARTS ON SIGHT GAUGE)
C-15848-SS	15848-SS	(316/316L STAINLESS STEEL WETTED PARTS)
C-15848-S6	15848-S6	(316/316L STAINLESS STEEL CONSTRUCTION)

REV.	DATE	BY	CHKD.	ECN	EXPLANATION:
B	12-14-94	RC	-	-	ITEM 4 P/N WAS A-18954, MAT'L WAS 6061-T6 ALUM.
C	05-03-10	DS	PAS	000008	REDRAWN; WAS HAND DWG.; ITEM 2 DESCRIPTION WAS PYREX GAUGE GLASS ITEM 6 WAS P-13698; ADDED SHEET 2 OF 2; ADDED 13114-A
D	07-17-19	BRC	DS	000299	UPDATED TO REFLECT CHANGE TO 3000 LB. COUPLING.; ADDED -S6 OPTION

KENCO ENGINEERING COMPANY TULSA, OKLAHOMA	
POT, CALIBRATION (OUTLINE) MODEL NO. 15848	
DATE: 11-15-91	SHEET: 1 OF 2
DRN. BY: RC	CHKD. BY:
SCALE: NONE	REVISION: D
DRAWING NUMBER C-15848	