

ORDERING INFORMATION

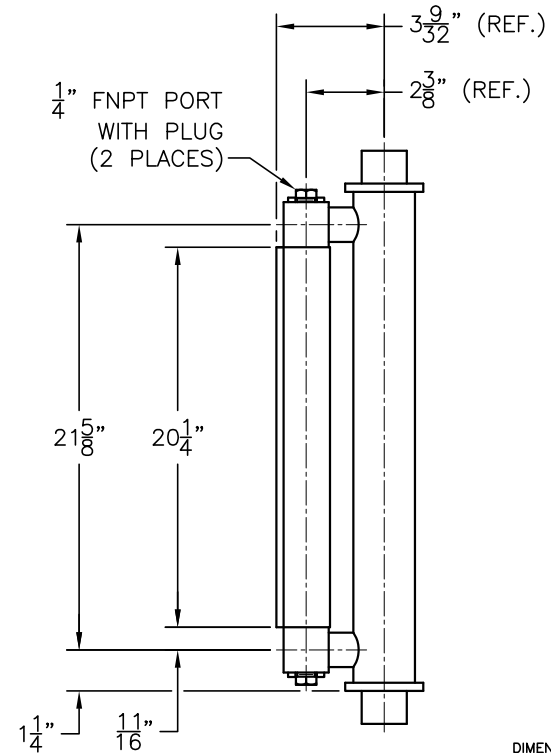
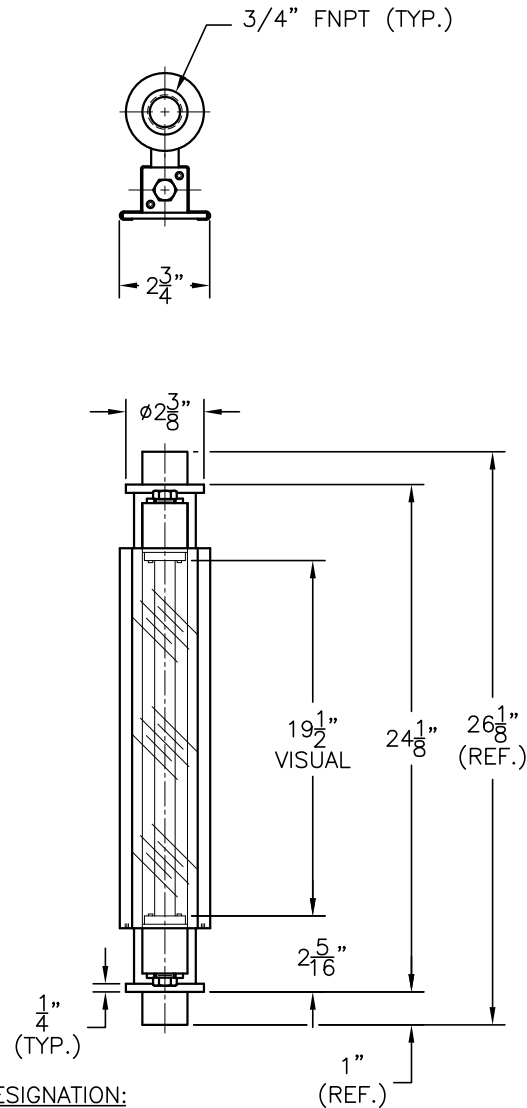
MODEL NUMBER	TANK MATERIAL	SEAL MATERIAL	SCALE CALIBRATION
15846	CS OR SS	A, B, E, V OR T	SEE TABLE BELOW

EXAMPLE MODEL NUMBER: 15846-SS-V-GPH

SCALE CALIBRATION OPTIONS / DEFINITIONS	MAXIMUM PUMPING RATE/GAUGE VOLUME	SCALE CALIBRATION INCREMENT VALUE
GPH=GALLONS PER HOUR	10	0.2
LPH=LITERS PER HOUR	37.85	0.5
GPD=GALLONS PER DAY	240	5
LPD=LITERS PER DAY	908.5	10
GBV=GALLONS BY VOLUME	0.17	0.002
LBV=LITERS BY VOLUME	0.63	0.01

NOTE: GPH/LPH/GPD/LPD SCALES ARE BASED ON A ONE MINUTE TEST.

WETTED PARTS: TANK, SIGHT TUBE AND SIGHT TUBE O-RING SEALS



DIMENSIONAL NOTE:
DIMENSIONS ARE FOR REFERENCE
PURPOSES ONLY AND ARE SUBJECT TO
CHANGE AT ANY TIME WITHOUT NOTICE.

INFORMATION IS PROPRIETARY TO KENCO ENGINEERING CO.

PART NUMBER AND MATERIAL DESIGNATION:

DRAWING NO.	MODEL NO.	MATERIAL:
C-15846-CS	15846-CS	(CARBON STEEL TANK WITH 316/316L STAINLESS STEEL WETTED PARTS ON SIGHT GAUGE)
C-15846-SS	15846-SS	(316/316L STAINLESS STEEL WETTED PARTS)
C-15846-S6	15846-S6	(316/316L STAINLESS STEEL CONSTRUCTION)

REV.	DATE	BY	CHKD.	ECN	EXPLANATION:
C	06-24-05	DS	KI	-	ITEM 1 P/N WAS C-15866
D	04-13-10	DS	PAS	000008	REDRAWN; WAS HAND DWG.; ITEM 2 DESCRIPTION WAS PYREX GAUGE GLASS
					ITEM 6 WAS P-13698; ADDED SHEET 2 OF 2; ADDED 13114-A
E	07-16-19	BRC	DS	000299	UPDATED TO REFLECT CHANGE TO 3000 LB. COUPLING; ADDED -S6 OPTION

KENCO ENGINEERING COMPANY TULSA, OKLAHOMA	
POT, CALIBRATION (OUTLINE) MODEL NO. 15846	
DATE: 12-03-91 DRN. BY: RC SCALE: NONE	SHEET: 1 OF 2 CHKD. BY: REVISION: E
DRAWING NUMBER C-15846	