

**ORDERING INFORMATION**

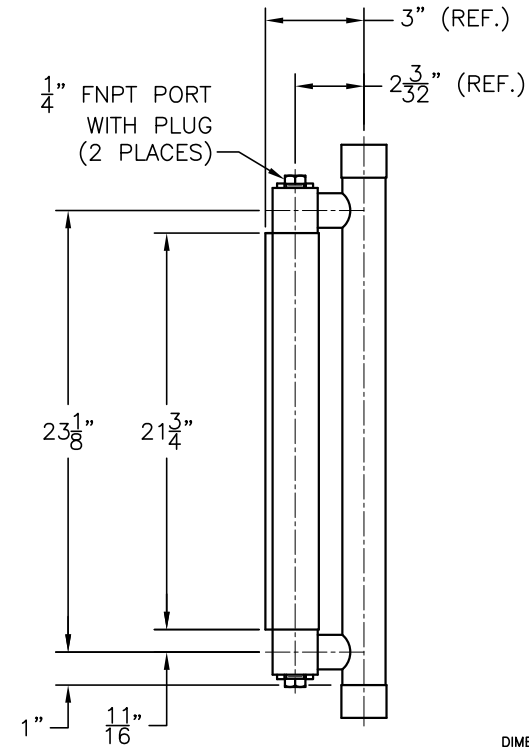
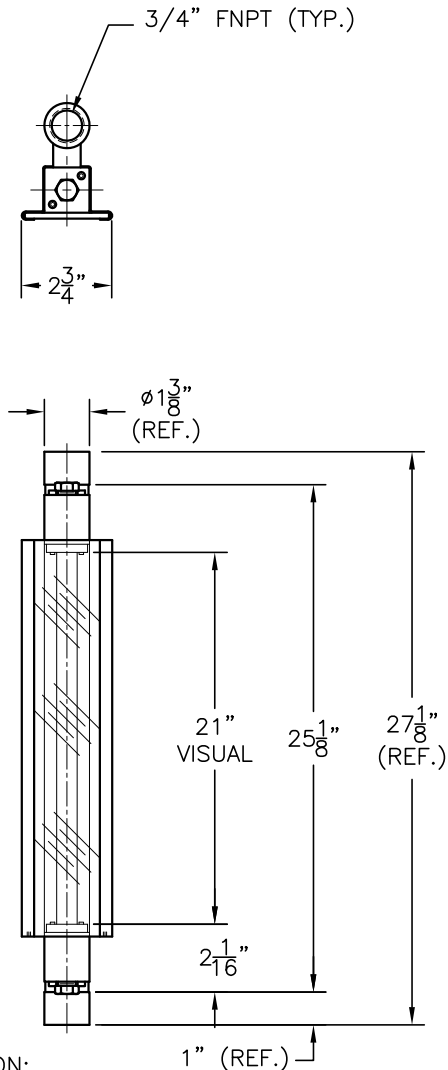
MODEL NUMBER	TANK MATERIAL	SEAL MATERIAL	SCALE CALIBRATION
15844	CS OR SS	A, B, E, V OR T	SEE TABLE BELOW

EXAMPLE MODEL NUMBER: 15844-SS-V-GPH

SCALE CALIBRATION OPTIONS / DEFINITIONS	MAXIMUM PUMPING RATE/GAUGE VOLUME	SCALE CALIBRATION INCREMENT VALUE
GPH=GALLONS PER HOUR	5	0.05
LPH=LITERS PER HOUR	18.93	0.25
GPD=GALLONS PER DAY	120	2
LPD=LITERS PER DAY	454.25	5
GBV=GALLONS BY VOLUME	0.08	0.001
LBV=LITERS BY VOLUME	0.32	0.005

NOTE: GPH/LPH/GPD/LPD SCALES ARE BASED ON A ONE MINUTE TEST.

WETTED PARTS: TANK, SIGHT TUBE AND SIGHT TUBE O-RING SEALS



PART NUMBER AND MATERIAL DESIGNATION:

DRAWING NO.	MODEL NO.	MATERIAL:
C-15844-CS	15844-CS	(CARBON STEEL TANK WITH 316/316L STAINLESS STEEL WETTED PARTS ON SIGHT GAUGE)
C-15844-SS	15844-SS	(316/316L STAINLESS STEEL WETTED PARTS)
C-15844-S6	15844-S6	(316/316L STAINLESS STEEL CONSTRUCTION)

DIMENSIONAL NOTE:  
DIMENSIONS ARE FOR REFERENCE PURPOSES ONLY AND ARE SUBJECT TO CHANGE AT ANY TIME WITHOUT NOTICE.

INFORMATION IS PROPRIETARY TO KENCO ENGINEERING CO.

REV.	DATE	BY	CHKD.	ECN	EXPLANATION:
C	06-24-05	DS	KI	-	ITEM 1 P/N WAS C-15864
D	01-02-07	DS	-	-	REDRAWN; WAS HAND DWG.; ITEM 2 DESCRIPTION WAS PYREX GAUGE GLASS
E	05-03-10	DS	PAS	000008	ITEM 6 WAS P-13698; ADDED SHEET 2 OF 2; ADDED 13114-A
F	07-15-19	BRC	DS	000299	UPDATED TO REFLECT CHANGE TO 3000 LB. COUPLING; ADDED -S6 OPTION

KENCO ENGINEERING COMPANY TULSA, OKLAHOMA		
POT, CALIBRATION (OUTLINE) MODEL NO. 15844		
DATE: 11-21-91	SHEET: 1 OF 2	DRAWING NUMBER
DRN. BY: RC	CHKD. BY:	C-15844
SCALE: NONE	REVISION: F	