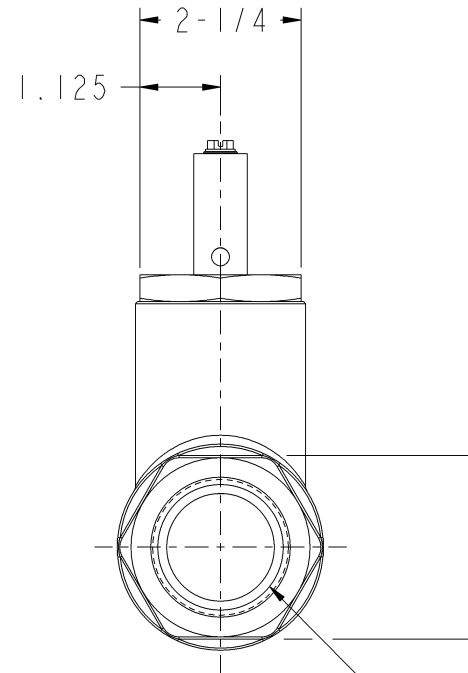
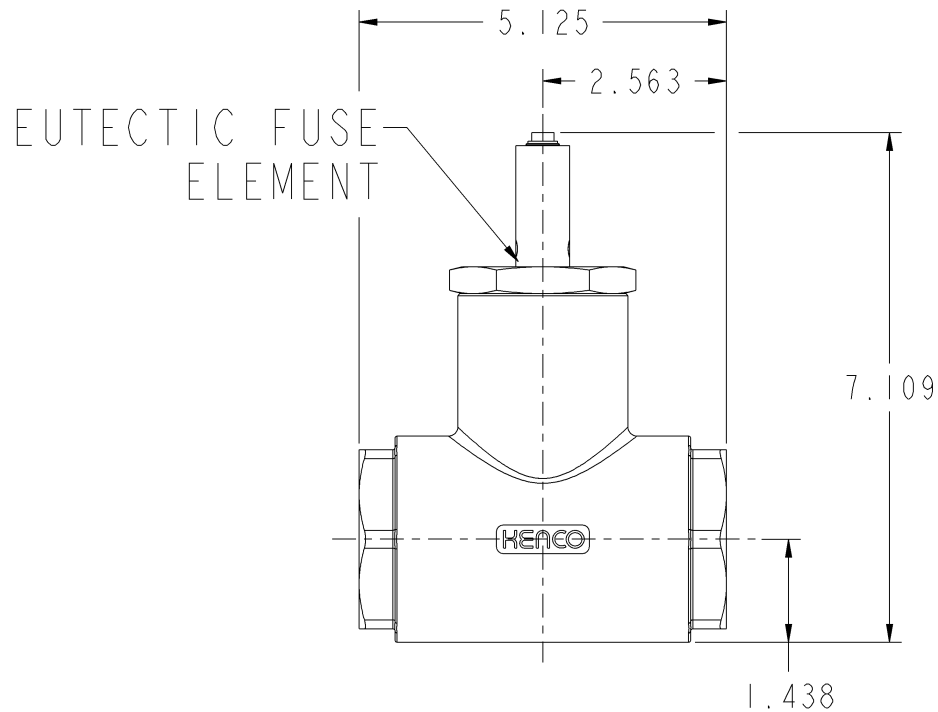


MODEL 15-KFS & 15-KFS-SS



MATERIALS OF CONSTRUCTION:

CARBON STEEL:

CARBON AND STAINLESS STEEL WITH INCONEL STAINLESS STEEL ACTUATOR SPRING AND PROPRIETARY EUTECTIC FUSE ELEMENT ALLOY

STAINLESS STEEL:

ALL STAINLESS STEEL WITH INCONEL STAINLESS STEEL ACTUATOR SPRING AND PROPRIETARY EUTECTIC FUSE ELEMENT ALLOY

2-1/2 HEX (TYP. EACH END)
1-1/2 FNPT PORT (TYP. EACH END)

				DIM'S IN INCHES		Kenco		MATERIAL:		SEE BOM	
				TOLERANCES UNLESS OTHERWISE SPECIFIED.		ENGINEERING		RELEASE LEVEL:		RELEASED	
				ANGULAR ±1/2°		Tulsa, Oklahoma USA		DRAWING CREATED IN PRO/ENGINEER			
A		9-20-17 CJ		RELEASED		TITLE:		DRN. BY: CJ		SCALE: 0.750	
REV.		N/A BRC		DESCRIPTION		VALVE, FIRE SAFE, MODEL 15-KFS		CHKD. BY: BRC		REVISION: A	
		DATE DRN.				MACH F/LET RND. 0.31		DATE: 9-20-17		SHEET 1 OF 3	
		ECN CHKD.				125-MAX. FINISH, ALL MACHINED SURFACES.				DRAWING NUMBER	
										79011	
<small>PROPRIETARY: THIS DRAWING AND THE INFORMATION CONTAINED HEREIN IS PROPRIETARY TO KENCO ENGINEERING CO. AND SHALL NOT BE REPRODUCED, COPIED, OR DISCLOSED IN WHOLE OR IN PART, OR USED FOR MANUFACTURE OR FOR ANY OTHER PURPOSE WITHOUT THE WRITTEN PERMISSION OF KENCO ENGINEERING.</small>											