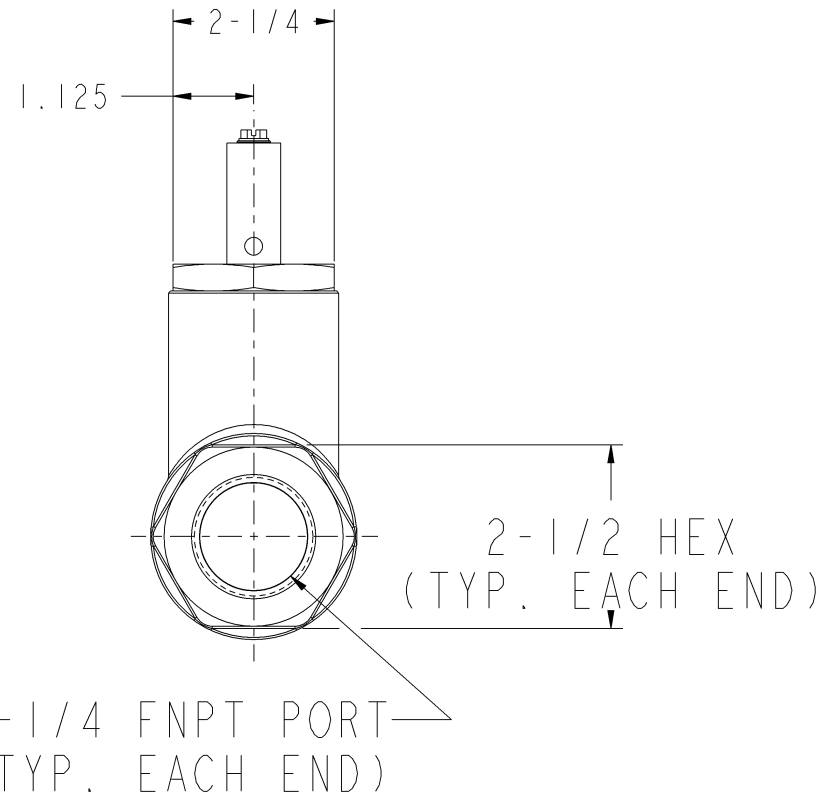
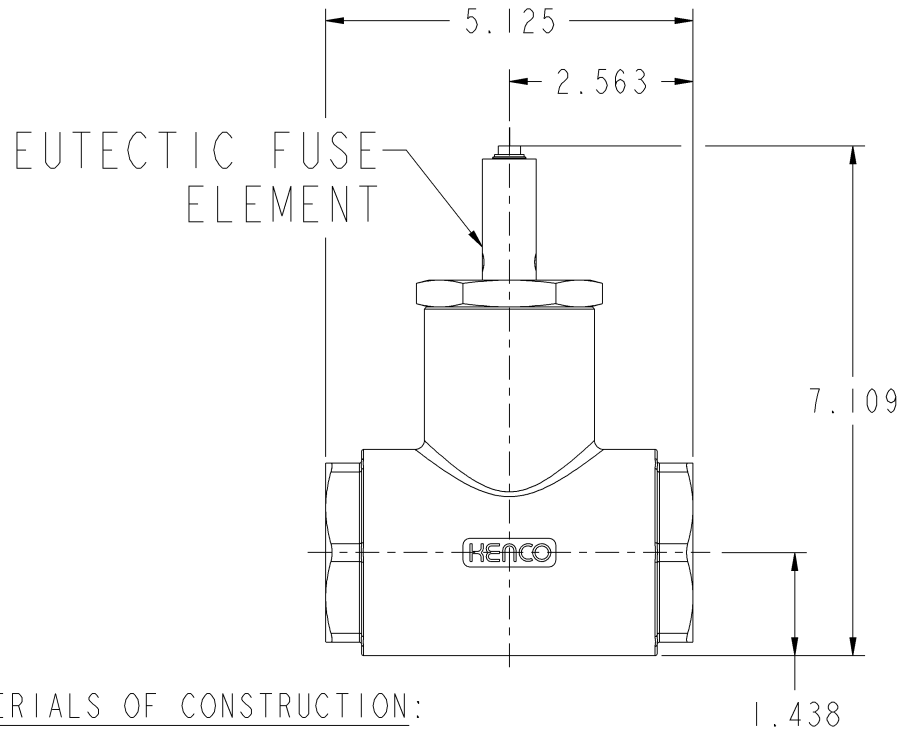


# MODEL 125-KFS & 125-KFS-SS



## MATERIALS OF CONSTRUCTION:

**CARBON STEEL:**  
 CARBON AND STAINLESS STEEL WITH INCONEL STAINLESS STEEL ACTUATOR SPRING AND PROPRIETARY EUTECTIC FUSE ELEMENT ALLOY

**STAINLESS STEEL:**  
 ALL STAINLESS STEEL WITH INCONEL STAINLESS STEEL ACTUATOR SPRING AND PROPRIETARY EUTECTIC FUSE ELEMENT ALLOY

		DIM'S IN INCHES		TOLERANCES UNLESS OTHERWISE SPECIFIED.				MATERIAL: SEE BOM	
9-20-17		CJ		RELEASED		TULSA, OKLAHOMA USA ENGINEERING		RELEASE LEVEL: RELEASED	
A	N/A	BRC		DESCRIPTION		ANGULAR ±1/2° FRACTIONAL ±1/64" (X.X) ±0.015" (X.XX) ±0.010" (X.XXX) ±0.005" MACH FINISH: ±0.031" 125-MAX. FINISH: ALL MACHINED SURFACES		DRAWING CREATED IN PRO/ENGINEER	
REV.	DATE	DRN.	ECN	CHKD.	DESCRIPTION	TITLE: VALVE, FIRE SAFE, MODEL 125-KFS		SCALE: 0.750	
PROPRIETARY: THIS DRAWING AND THE INFORMATION CONTAINED HEREIN IS PROPRIETARY TO KENCO ENGINEERING CO. AND SHALL NOT BE REPRODUCED, COPIED, OR DISCLOSED IN WHOLE OR IN PART, OR USED FOR MANUFACTURE OR FOR ANY OTHER PURPOSE WITHOUT THE WRITTEN PERMISSION OF KENCO ENGINEERING.						DRN. BY: CJ CHKD. BY: BRC		REVISION: A DATE: 09-20-17	
								DRAWING NUMBER: 79010	
								SHEET 1 OF 3	