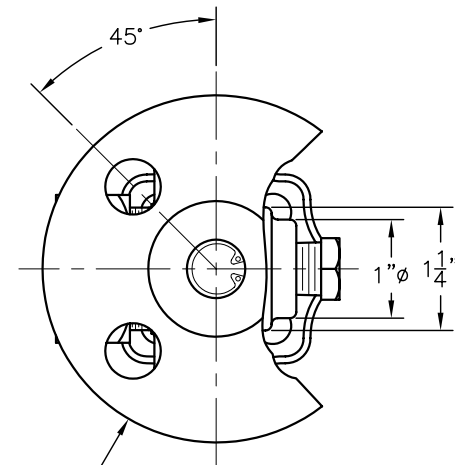


ASSEMBLY NUMBER	VESSEL CONNECTION FLANGE SIZE	"A"	"B"
C-51110	1/2" 150 LB. R.F.	3-1/2"	7/16"
C-51111	3/4" 150 LB. R.F.	3-7/8"	1/2"
C-51112	1" 150 LB. R.F.	4-1/4"	9/16"
C-51113	1-1/2" 150 LB. R.F.	5"	11/16"
C-51114	2" 150 LB. R.F.	6"	3/4"
C-51115	1/2" 300 LB. R.F.	3-3/4"	9/16"
C-51116	3/4" 300 LB. R.F.	4-5/8"	5/8"
C-51117	1" 300 LB. R.F.	4-7/8"	11/16"
C-51118	1-1/2" 300 LB. R.F.	6-1/8"	13/16"



VESSEL CONNECTION
SEE OPTIONS ABOVE

VALVE BODY MATERIAL:

ADD SUFFIX "-CS" OR "-SS" TO ASSEMBLY NUMBER TO DESIGNATE MATERIALS OF CONSTRUCTION.

"-CS" (DESIGNATES ZINC PLATED CARBON STEEL)

"-SS" (DESIGNATES 316 STAINLESS STEEL)

VALVE STEM PACKING MATERIAL: PTFE

GAUGE CONNECTION SEAL MATERIAL: SPECIFIED BY CUSTOMER

INFORMATION IS PROPRIETARY TO KENCO ENGINEERING CO.

REV.	DATE	BY	ECN	EXPLANATION:

KENCO ENGINEERING COMPANY TULSA, OKLAHOMA			
VALVE, GAUGE GLASS (UPPER) WITH 3/4" GAUGE CONN., FLANGED VESSEL CONN. AND BALL CHECK SHUTOFF			
DATE: 12-18-06	SHEET: 1 OF 2	DRAWING NUMBER	
DRN. BY: DS	CHKD. BY: BC	C-51110	
SCALE: NONE	REVISION:	51118	