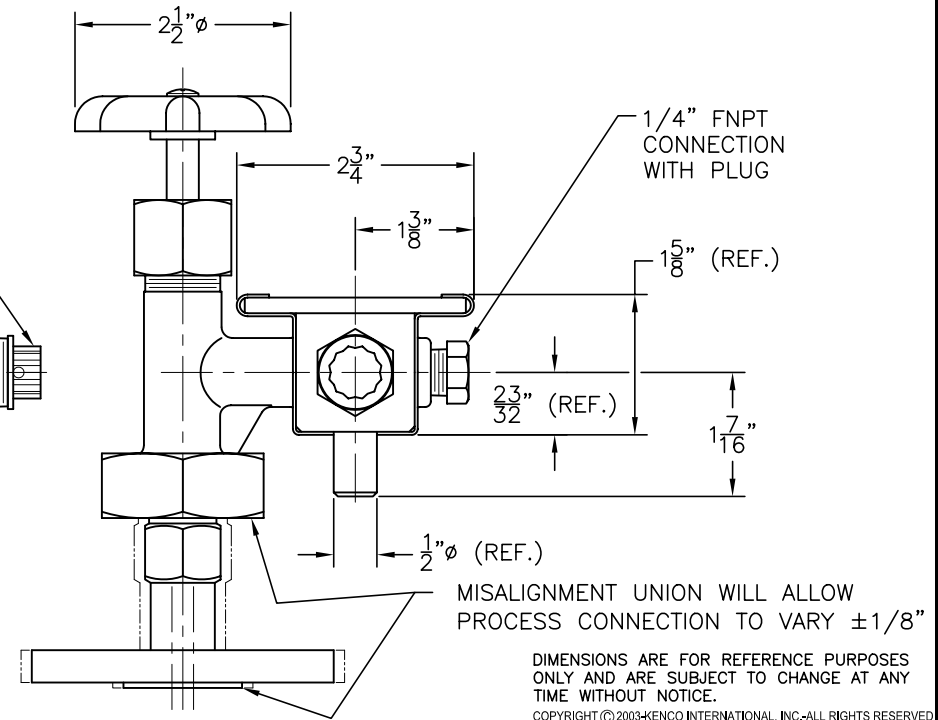
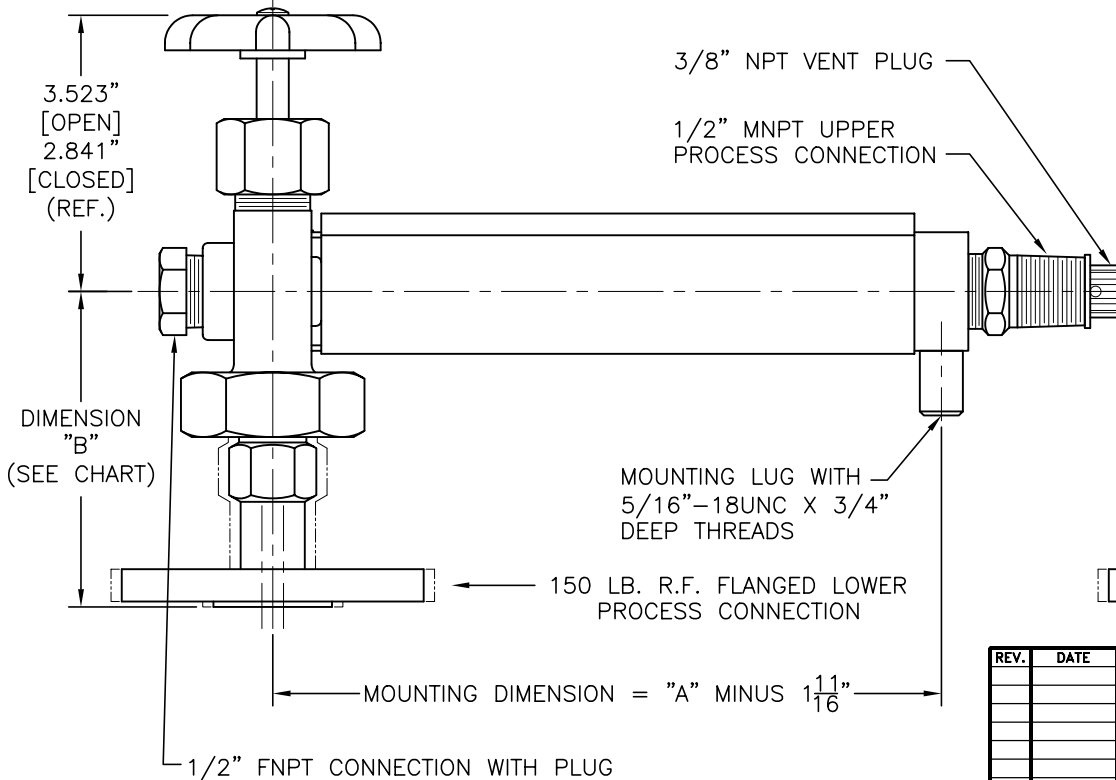


## MODEL K9957-FL

DIMENSIONAL INFORMATION CHART

FLANGE SIZE / RATING	DIMENSION "B"
1/2" 150 LB. R.F. PIPE FLANGE	3-21/32"
3/4" 150 LB. R.F. PIPE FLANGE	3-23/32"
1" 150 LB. R.F. PIPE FLANGE	3-25/32"
1-1/2" 150 LB. R.F. PIPE FLANGE	3-29/32"
2" 150 LB. R.F. PIPE FLANGE	3-31/32"



DIMENSIONS ARE FOR REFERENCE PURPOSES  
ONLY AND ARE SUBJECT TO CHANGE AT ANY  
TIME WITHOUT NOTICE.  
COPYRIGHT © 2003 KENCO INTERNATIONAL, INC.-ALL RIGHTS RESERVED

REV.	DATE	BY	ECN	EXPLANATION:	KENCO ENGINEERING COMPANY TULSA, OKLAHOMA		
					GAUGE, BULK TANK (OUTLINE DRAWING) MODEL K9957-FL SERIES WITH 150 LB. R.F. FLANGED PROCESS CONNECTIONS		
					DATE: 06-18-03	SHEET: 1 OF 1	DRAWING NUMBER
					DRN. BY: KI	CHKD. BY: DS	C-45460
					SCALE: 7/8"=1"	REVISION:	