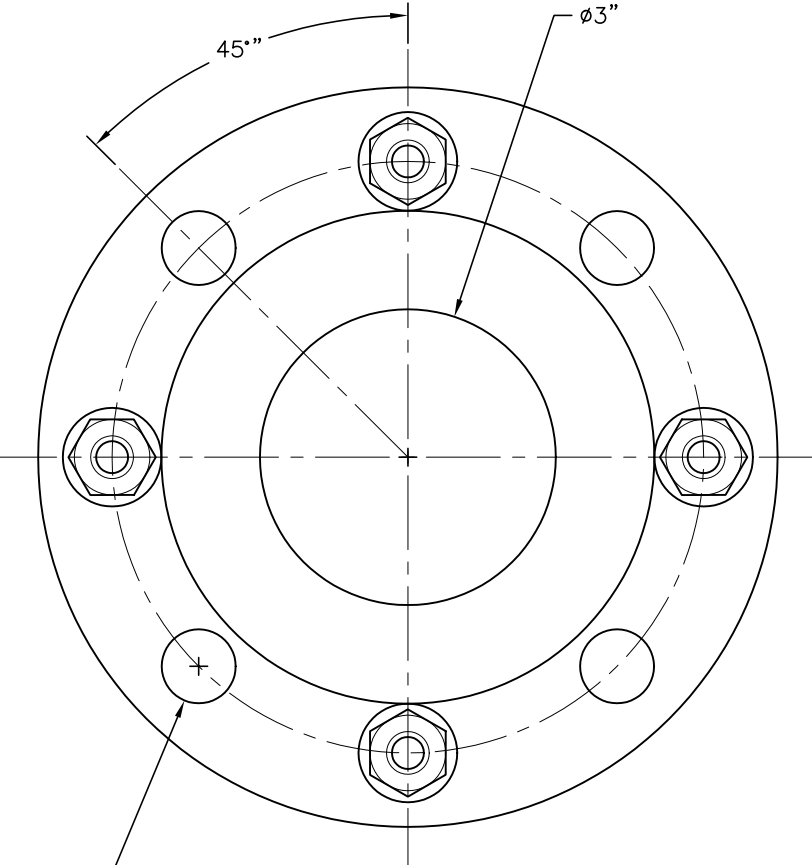
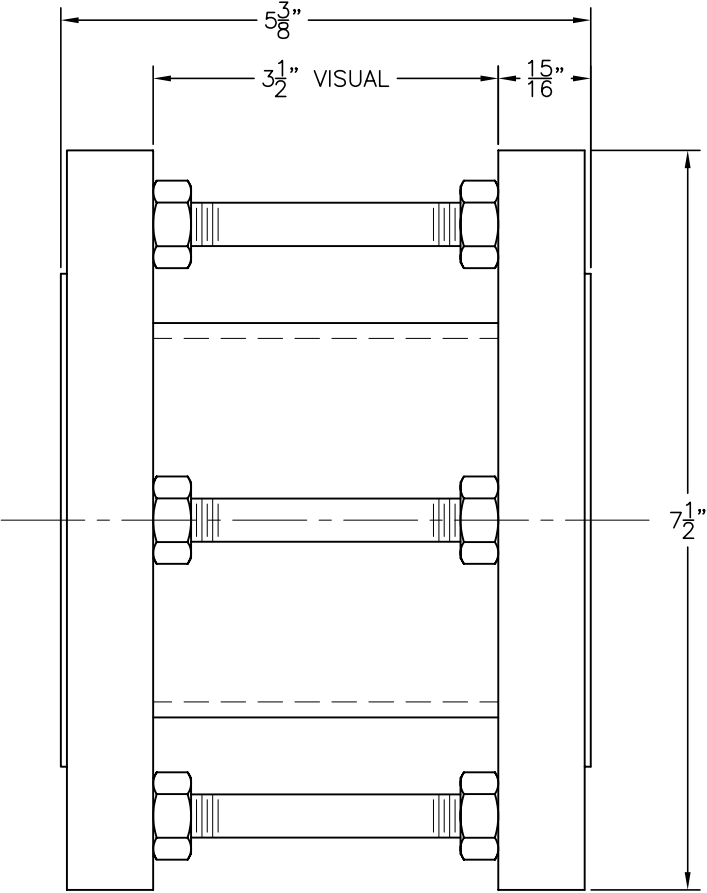


# MODEL FVSF-F-3.00



$\frac{3}{4}$ " (4 HOLES EQUALLY SPACED ON 6" DIA. B.C.)

DIMENSION ARE FOR REFERENCE PURPOSES ONLY AND ARE SUBJECT TO CHANGE AT ANY TIME WITHOUT NOTICE.

COPYRIGHT © 2003-KENCO INTERNATIONAL, INC.-ALL RIGHTS RESERVED

REV.	DATE	BY	ECN	EXPLANATION:

**KENCO ENGINEERING COMPANY**  
TULSA, OKLAHOMA

INDICATOR, SIGHT FLOW  
(OUTLINE DRAWING) MODEL FVSF-F-3.00

DATE: 02-03-03	SHEET: 1 OF 1	DRAWING NUMBER
DRN. BY: DPS	CHKD. BY:	C-43661
SCALE: NONE	REVISION:	