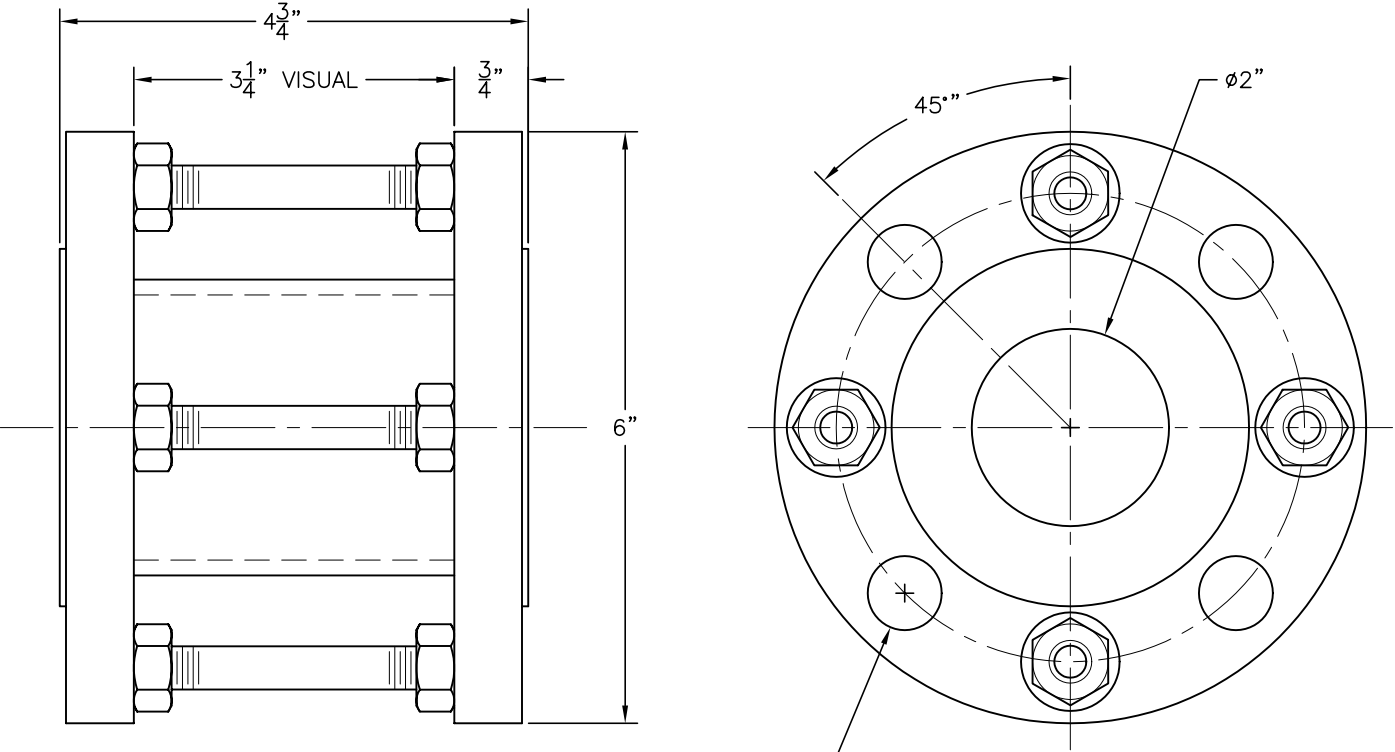


# MODEL FVSF-F-2.00



$\phi \frac{3}{4}$ " (4 HOLES EQUALLY SPACED ON 4-3/4" DIA. B.C.)

DIMENSION ARE FOR REFERENCE PURPOSES ONLY AND ARE SUBJECT TO CHANGE AT ANY TIME WITHOUT NOTICE.

COPYRIGHT © 2003-KENCO INTERNATIONAL, INC.-ALL RIGHTS RESERVED

| REV. | DATE | BY | ECN | EXPLANATION: |
|------|------|----|-----|--------------|
|      |      |    |     |              |
|      |      |    |     |              |
|      |      |    |     |              |
|      |      |    |     |              |
|      |      |    |     |              |
|      |      |    |     |              |
|      |      |    |     |              |
|      |      |    |     |              |
|      |      |    |     |              |

**KENCO ENGINEERING COMPANY**  
TULSA, OKLAHOMA

INDICATOR, SIGHT FLOW  
(OUTLINE DRAWING) MODEL FVSF-F-2.00

|                |               |                |
|----------------|---------------|----------------|
| DATE: 02-03-03 | SHEET: 1 OF 1 | DRAWING NUMBER |
| DRN. BY: DPS   | CHKD. BY:     | C-43659        |
| SCALE: NONE    | REVISION:     |                |