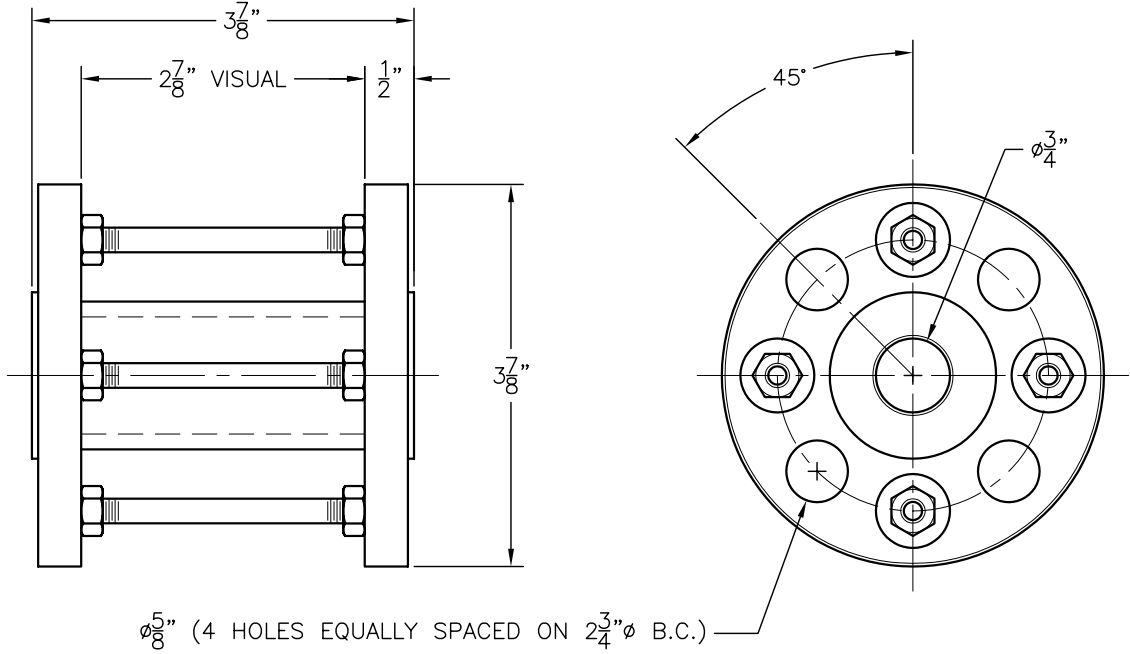


MODEL FVSF-F-0.75



$\frac{5}{8}$ " (4 HOLES EQUALLY SPACED ON $2\frac{3}{4}$ " ϕ B.C.)

DIMENSIONS ARE FOR REFERENCE PURPOSES ONLY AND ARE SUBJECT TO CHANGE AT ANY TIME WITHOUT NOTICE.
INFORMATION IS PROPRIETARY TO KENCO ENGINEERING CO.

REV.	DATE	BY	ECN	EXPLANATION:

KENCO ENGINEERING COMPANY
TULSA, OKLAHOMA

INDICATOR, SIGHT FLOW
(OUTLINE DRAWING) MODEL FVSF-F-0.75

DATE: 06-13-08	SHEET: 1 OF 1	DRAWING NUMBER
DRN. BY: DS	CHKD. BY:	C-54741
SCALE: NONE	REVISION:	