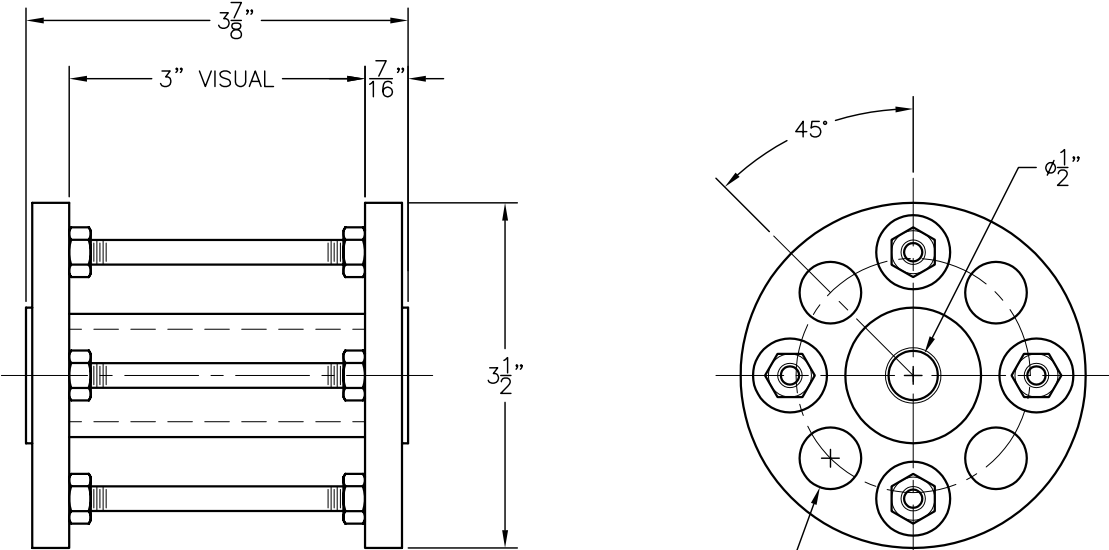


MODEL FVSF-F-0.50



$\phi \frac{5}{8}$ " (4 HOLES EQUALLY SPACED ON $2 \frac{3}{8}$ " ϕ B.C.)

DIMENSIONS ARE FOR REFERENCE PURPOSES ONLY AND ARE SUBJECT TO CHANGE AT ANY TIME WITHOUT NOTICE.

INFORMATION IS PROPRIETARY TO KENCO ENGINEERING CO.

REV.	DATE	BY	ECN	EXPLANATION:

KENCO ENGINEERING COMPANY TULSA, OKLAHOMA		
INDICATOR, SIGHT FLOW (OUTLINE DRAWING) MODEL FVSF-F-0.50		
DATE: 06-13-08	SHEET: 1 OF 1	DRAWING NUMBER
DRN. BY: DS	CHKD. BY:	C-54740
SCALE: NONE	REVISION:	