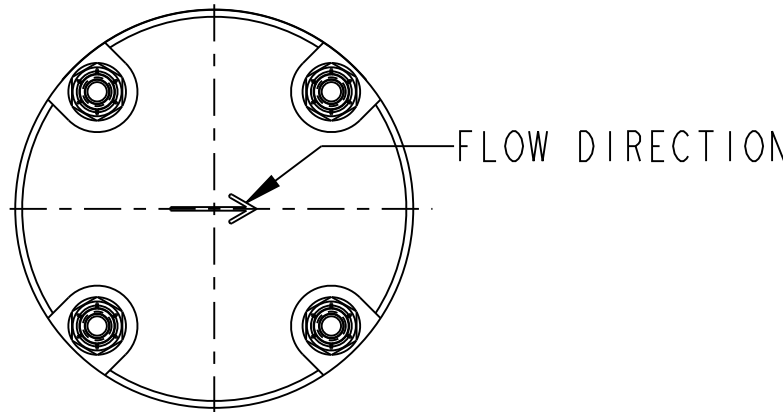


RELIEF PRESSURE ADJUSTMENT RANGE: 0 TO 150 PSI  
 RELIEF PRESSURE FACTORY SETTING: 50 PSI

WETTED MATERIALS:  
 BODY: PVC  
 DIAPHRAGM: TEFLON (WETTED)/EPDM (NON-WETTED)

NON-WETTED MATERIALS:  
 SPRING CASE: PVC  
 RELIEF PRESSURE ADJUSTING SCREW: PVC  
 SPRING: ZINC PLATED SPRING STEEL  
 NUTS, BOLTS & WASHERS: 18-8 STAINLESS STEEL

MODEL NUMBER:  
 KBPV-T-75-P-P-TE (THREADED CONNECTIONS)  
 KBPV-S-75-P-P-TE (SOCKET WELD CONNECTIONS)



|   |         |       |                                 |   |                                    |                                 |                                  |           |       |                |
|---|---------|-------|---------------------------------|---|------------------------------------|---------------------------------|----------------------------------|-----------|-------|----------------|
| B   | 5/20/15 | LR    | REVISED TO SHOW CHANGE TO LABEL | DIM'S IN INCHES<br>TOLERANCES UNLESS OTHERWISE SPECIFIED.   | <br>Tulsa, Oklahoma USA            | MATERIAL:                       | SEE B/M                          |           |       |                |
|   | N/A     | BRC   |                                 |   |                                    | RELEASE LEVEL:                  | RELEASED                         |           |       |                |
| A   | 5/06/15 | BRC   | RELEASED                        | ANGULAR ±1/2°<br>FRACTIONAL ±1/64"<br>(X.X) ±0.015"<br>(X.XX) ±0.010"<br>(X.XXX) ±0.005"<br>MACH FILLET RAD: .031"<br>125 MAX. FINISH, ALL MACHINED SURFACES. | ENGINEERING<br>Tulsa, Oklahoma USA | DRAWING CREATED IN PRO/ENGINEER |                                  |           |       |                |
|   | N/A     | KLM   |                                 |   |                                    | TITLE:                          | VALVE, KBPV RELIEF, 3/4", BOLTED |           |       |                |
| REV.  | DATE    | DRN.  | DESCRIPTION                     |   |                                    | DRN. BY:                        | BRC                              | SCALE:    | 0.600 | DRAWING NUMBER |
|   | ECN     | CHKD. |                                 |   |                                    | CHKD. BY:                       | KLM                              | REVISION: | B     |                |
| PROPRIETARY: THIS DRAWING AND THE INFORMATION CONTAINED HEREIN IS PROPRIETARY TO KENCO ENGINEERING CO. AND SHALL NOT BE REPRODUCED, COPIED, OR DISCLOSED IN WHOLE OR IN PART, OR USED FOR MANUFACTURE OR FOR ANY OTHER PURPOSE WITHOUT THE WRITTEN PERMISSION OF KENCO ENGINEERING. |         |       |                                 | DATE:   | 5/06/15                            | SHEET 1 OF 3                    |                                  |           |       |                |