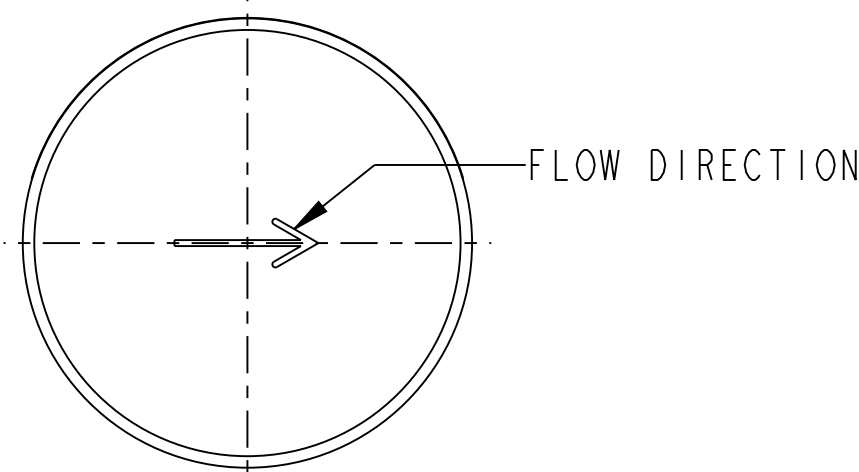


RELIEF PRESSURE ADJUSTMENT RANGE: 0 TO 150 PSI  
 RELIEF PRESSURE FACTORY SETTING: 50 PSI

WETTED MATERIALS:  
 BODY: 316 STAINLESS STEEL  
 DIAPHRAGM: TEFLON (WETTED)/EPDM (NON-WETTED)

NON-WETTED MATERIALS:  
 SPRING CASE: PVC  
 RELIEF PRESSURE ADJUSTING SCREW: PVC  
 SPRING: ZINC PLATED SPRING STEEL  
 SCREWS & WASHERS: 18-8 STAINLESS STEEL

MODEL NUMBER:  
 KBPV-T-25-S6-P-TE (THREADED CONNECTIONS)  
 KBPV-S-25-S6-P-TE (SOCKET WELD CONNECTIONS)



B	5/21/15	BRC	REVISED DESIGN TO KENCO STANDARDS WITH NEW	DIM'S IN INCHES TOLERANCES UNLESS OTHERWISE SPECIFIED.	 Tulsa, Oklahoma USA	MATERIAL:	SEE B/M			
	N/A	KLM	TAPERED SPRING CASE, MODEL NO. SYSTEM AND TAG.			RELEASE LEVEL:	RELEASED			
A	01/31/11	KLM	RELEASED	ANGULAR ±1/2° FRACTIONAL ±1/64" (X.X) ±0.015" (X.XX) ±0.010" (X.XXX) ±0.005" MACH FILLET RAD: .031" 125 MAX. FINISH, ALL MACHINED SURFACES.	ENGINEERING Tulsa, Oklahoma USA	DRAWING CREATED IN PRO/ENGINEER				
	000055	KI				TITLE:	VALVE, KBPV RELIEF, 1/4"			
REV.	DATE	DRN.	DESCRIPTION		 Tulsa, Oklahoma USA	DRN. BY:	KLM	SCALE:	1.000	DRAWING NUMBER
	ECN	CHKD.				CHKD. BY:	KI	REVISION:	B	
PROPRIETARY: THIS DRAWING AND THE INFORMATION CONTAINED HEREIN IS PROPRIETARY TO KENCO ENGINEERING CO. AND SHALL NOT BE REPRODUCED, COPIED, OR DISCLOSED IN WHOLE OR IN PART, OR USED FOR MANUFACTURE OR FOR ANY OTHER PURPOSE WITHOUT THE WRITTEN PERMISSION OF KENCO ENGINEERING.						DATE:	05/21/15	SHEET 1 OF 3		