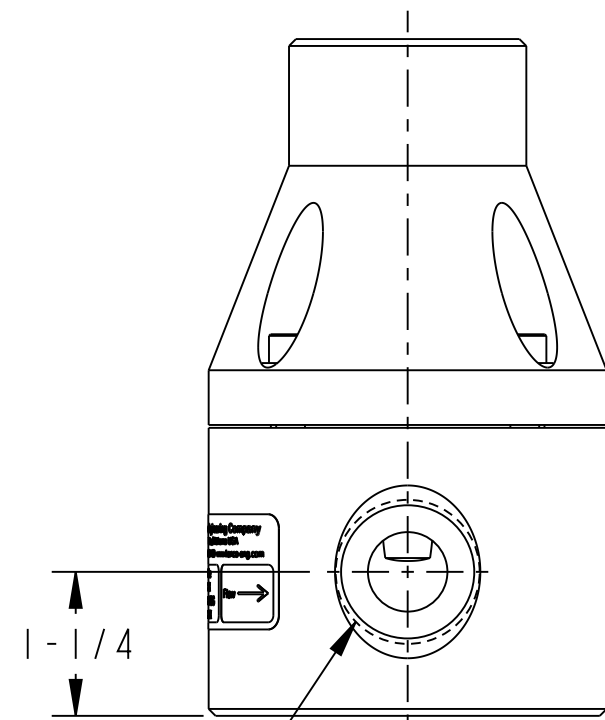
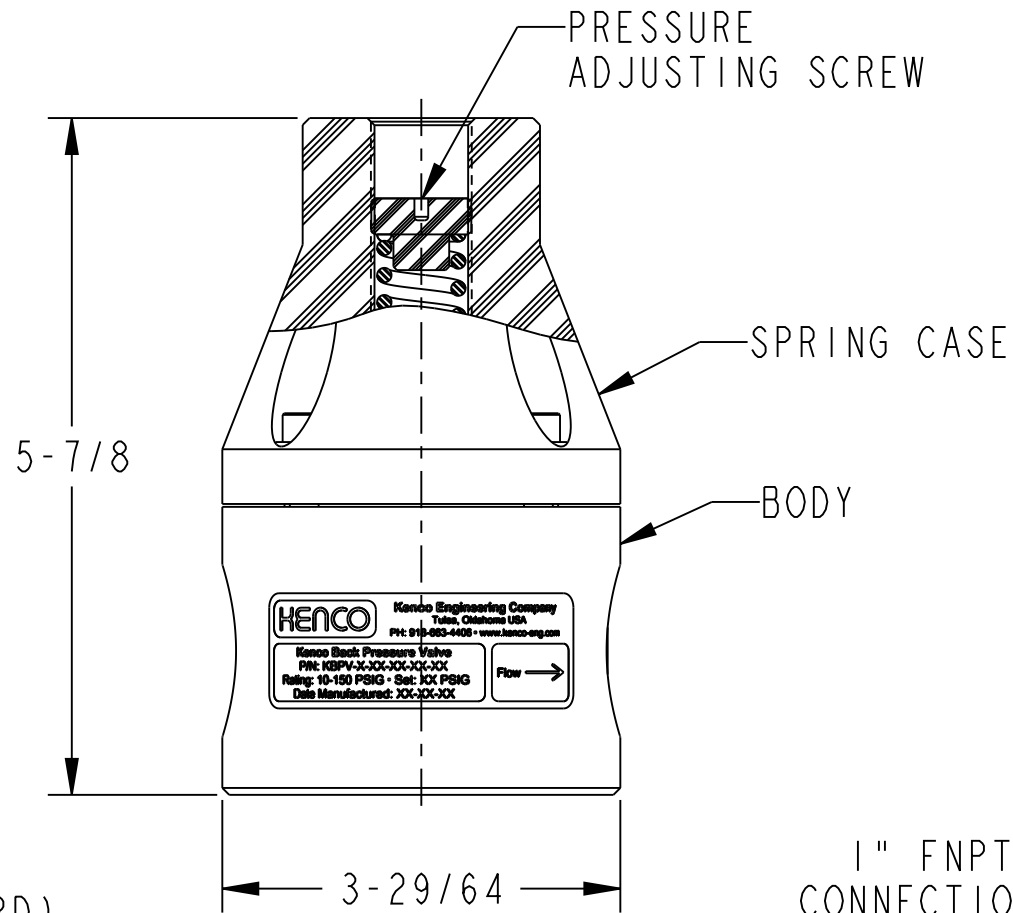
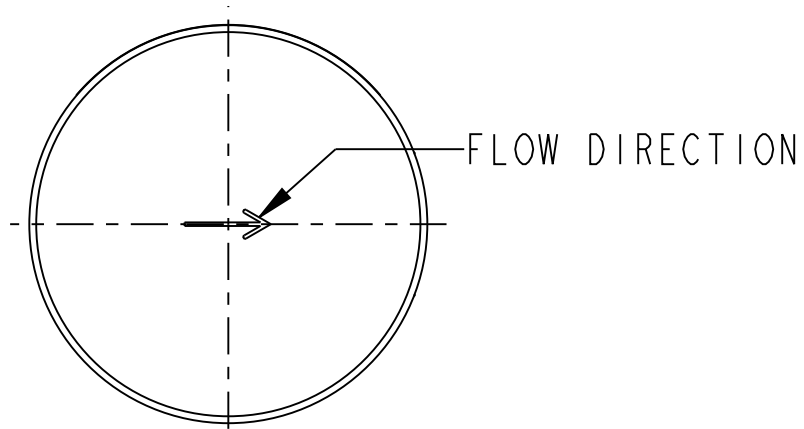


1" FNPT INLET PORT CONNECTION (STANDARD)  
(1" SOCKET WELD OPTIONAL)



1" FNPT OUTLET PORT CONNECTION (STANDARD)  
(1" SOCKET WELD OPTIONAL)



RELIEF PRESSURE ADJUSTMENT RANGE: 0 TO 150 PSI  
RELIEF PRESSURE FACTORY SETTING: 50 PSI

WETTED MATERIALS:  
BODY: 316 STAINLESS STEEL  
DIAPHRAGM: TEFLON (WETTED)/EPDM (NON-WETTED)

NON-WETTED MATERIALS:  
SPRING CASE: PVC  
RELIEF PRESSURE ADJUSTING SCREW: PVC  
SPRING: ZINC PLATED SPRING STEEL  
SCREWS & WASHERS: 18-8 STAINLESS STEEL

MODEL NUMBER:  
KBPV-T-10-S6-P-TE (THREADED CONNECTIONS)  
KBPV-S-10-S6-P-TE (SOCKET WELD CONNECTIONS)

C	5/20/15	LR	REVISED DESIGN TO KENCO STANDARDS WITH NEW	DIM'S IN INCHES TOLERANCES UNLESS OTHERWISE SPECIFIED.	 Tulsa, Oklahoma USA	MATERIAL:	SEE B/M	
	N/A	BRC	TAPERED SPRING CASE, MODEL NO. SYSTEM AND TAG.			RELEASE LEVEL:	RELEASED	
B	7/10/09	KLM	MOVED TO B-SIZE, RENUMBERED BALLOONS, REVISED	<del>           ANGULAR ±1/2°            FRACTIONAL ±1/64"            (X.X) ±0.015"            (X.XX) ±0.010"            (X.XXX) ±0.005"            MACH FILLET RAD: .031"            125 MAX. FINISH, ALL MACHINED SURFACES.         </del>	ENGINEERING Tulsa, Oklahoma USA	DRAWING CREATED IN PRO/ENGINEER		
	N/A	KI	NOTES			TITLE:	VALVE, KBPV RELIEF, 1"	
REV.	DATE	DRN.	DESCRIPTION	DRN. BY:	PMM	SCALE:	0.600	DRAWING NUMBER
	ECN	CHKD.		CHKD. BY:	BRC	REVISION:	C	
<b>PROPRIETARY:</b> THIS DRAWING AND THE INFORMATION CONTAINED HEREIN IS PROPRIETARY TO KENCO ENGINEERING CO. AND SHALL NOT BE REPRODUCED, COPIED, OR DISCLOSED IN WHOLE OR IN PART, OR USED FOR MANUFACTURE OR FOR ANY OTHER PURPOSE WITHOUT THE WRITTEN PERMISSION OF KENCO ENGINEERING.				DATE:	5/20/15	SHEET 1 OF 3		