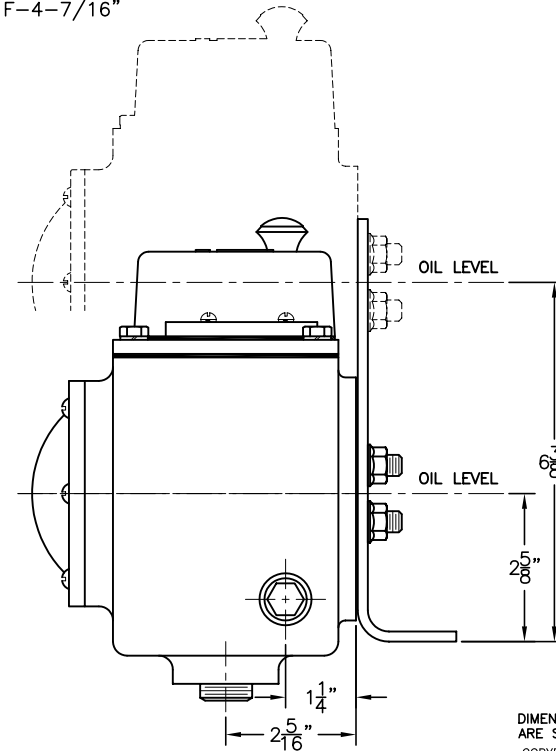
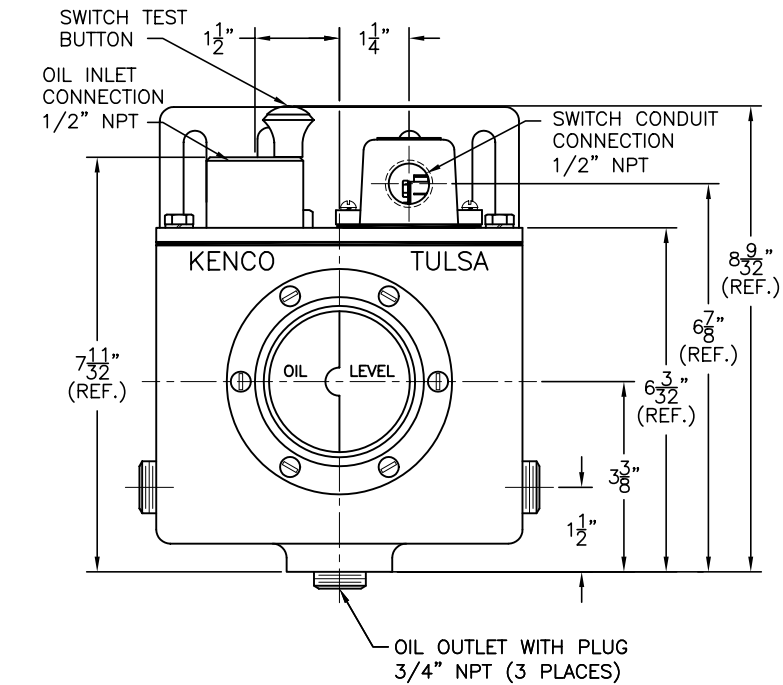


# MODEL KLCM-9-FS

- MODEL 50-FS:**    **MODEL 75-FS:**  
 A-1/2" NPT        A-3/4" NPT  
 B-5/8"            B-3/4"  
 C-1-1/4"         C-1-1/2"  
 D-1-9/16"        D-1-3/4"  
 E-3-1/8"         E-3-1/2"  
 F-3-15/16"      F-4-7/16"



DIMENSION ARE FOR REFERENCE PURPOSES ONLY AND ARE SUBJECT TO CHANGE AT ANY TIME WITHOUT NOTICE. COPYRIGHT © 2003-KENCO INTERNATIONAL, INC.-ALL RIGHTS RESERVED

REV.	DATE	BY	ECN	EXPLANATION:	KENCO ENGINEERING COMPANY TULSA, OKLAHOMA
					DATE: 02-03-03 SHEET: 1 OF 1 DRAWING NUMBER
					DRN. BY: DS CHKD. BY: C-44749
					SCALE: NONE REVISION: