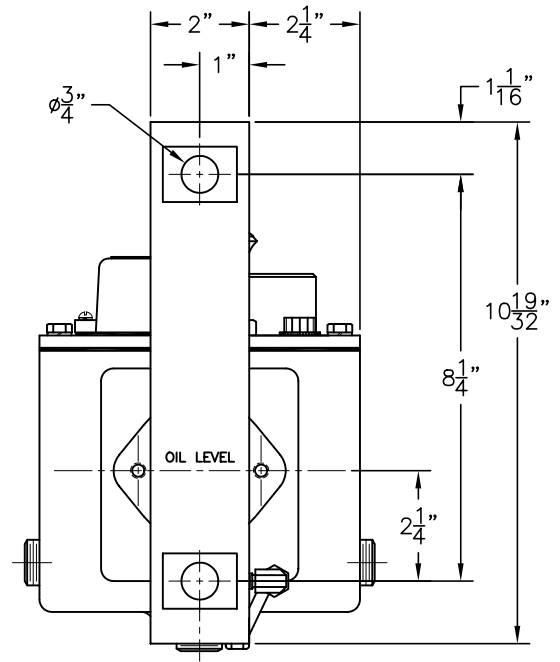
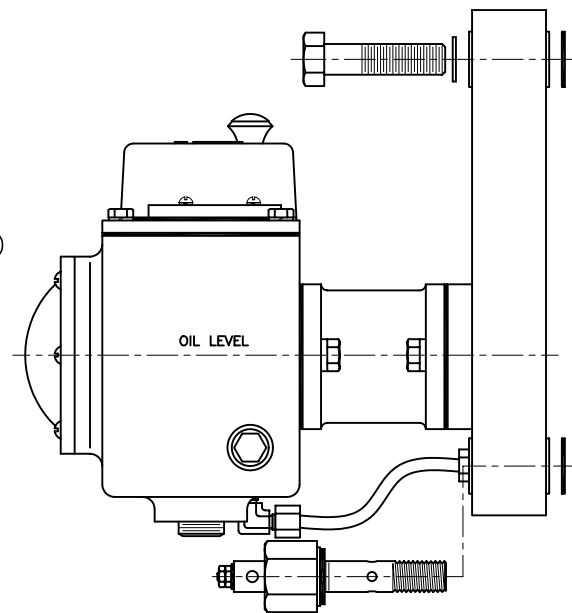
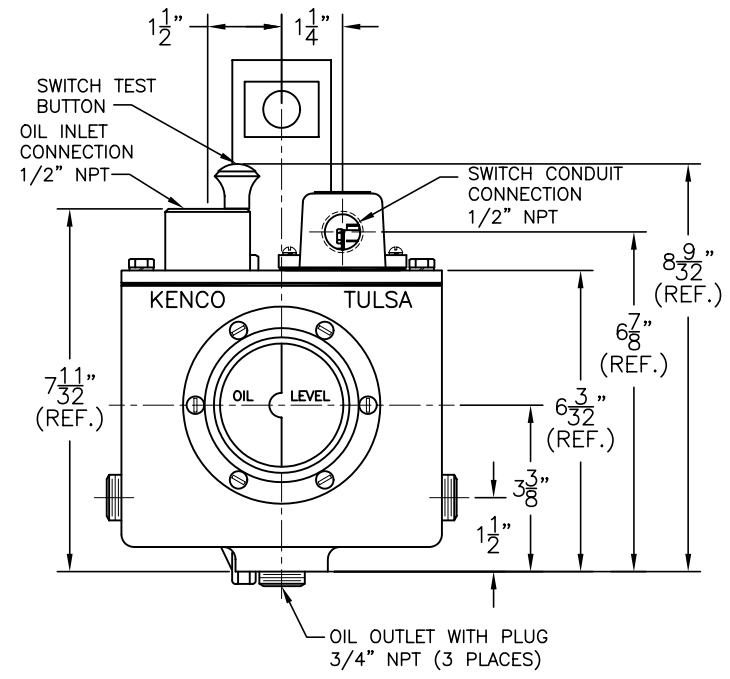


MODEL 50-FS:
 A-1/2" NPT
 B-5/8"
 C-1-1/4"
 D-1-9/16"
 E-3-1/8"
 F-3-15/16"

MODEL KLCM-7-FS



DIMENSION ARE FOR REFERENCE PURPOSES ONLY AND ARE SUBJECT TO CHANGE AT ANY TIME WITHOUT NOTICE.
 COPYRIGHT © 2003 KENCO INTERNATIONAL, INC. ALL RIGHTS RESERVED

REV.	DATE	BY	ECN	EXPLANATION:

KENCO ENGINEERING COMPANY
 TULSA, OKLAHOMA

CONTROLLER, OIL LEVEL WITH MOUNT
 (OUTLINE DRAWING) MODEL KLCM-7-FS

DATE: 02-03-03 SHEET: 1 OF 1 DRAWING NUMBER
 DRN. BY: DS CHKD. BY: C-44748
 SCALE: NONE REVISION: