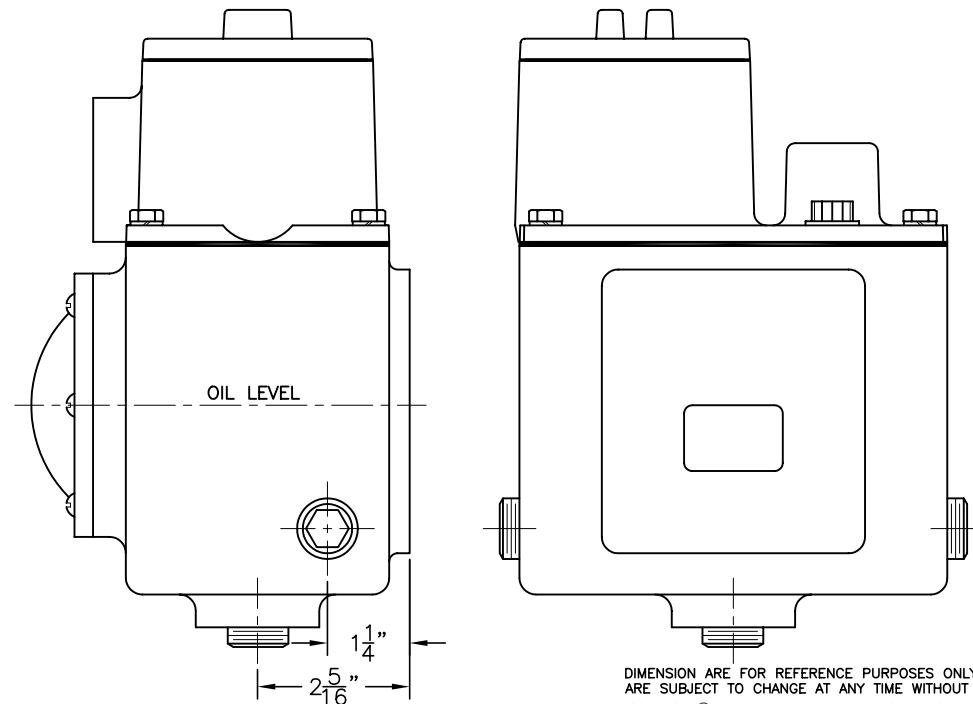
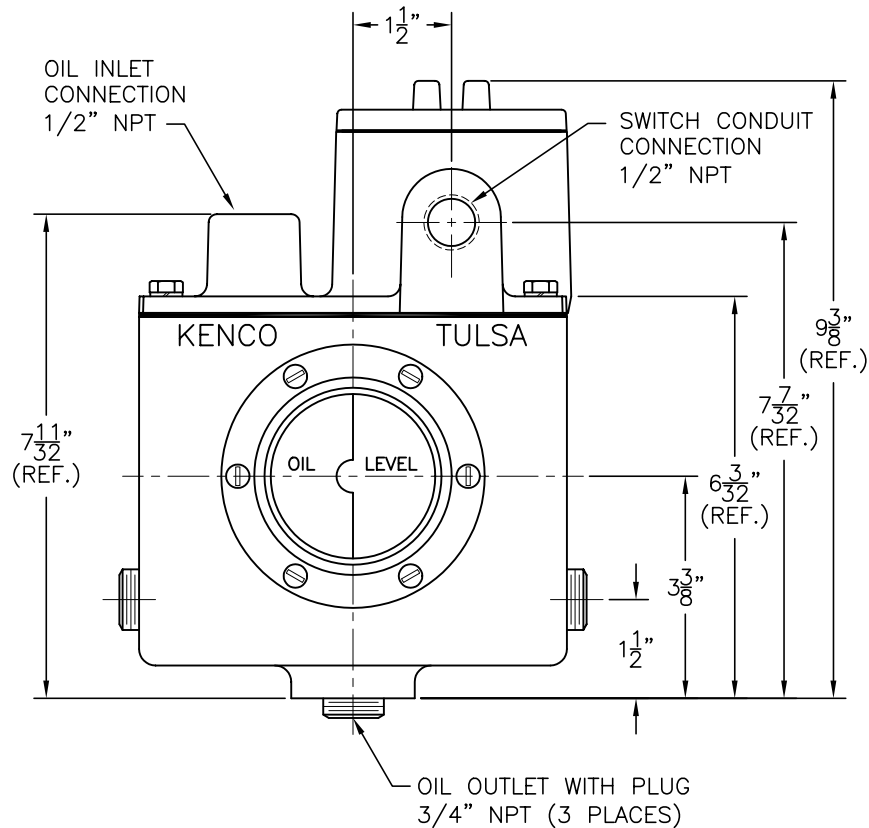


MODEL KLCE
MODEL KLCE-DPDT
MODEL KHL
MODEL KHL-DPDT
MODEL KSHL
MODEL KSLL



DIMENSION ARE FOR REFERENCE PURPOSES ONLY AND ARE SUBJECT TO CHANGE AT ANY TIME WITHOUT NOTICE.
 COPYRIGHT © 2003-KENCO INTERNATIONAL, INC.-ALL RIGHTS RESERVED

REV.	DATE	BY	ECN	EXPLANATION:	KENCO ENGINEERING COMPANY TULSA, OKLAHOMA
					DATE: 02-04-03 SHEET: 1 OF 1 DRAWING NUMBER
					DRN. BY: DPS CHKD. BY: C-44677
					SCALE: NONE REVISION: