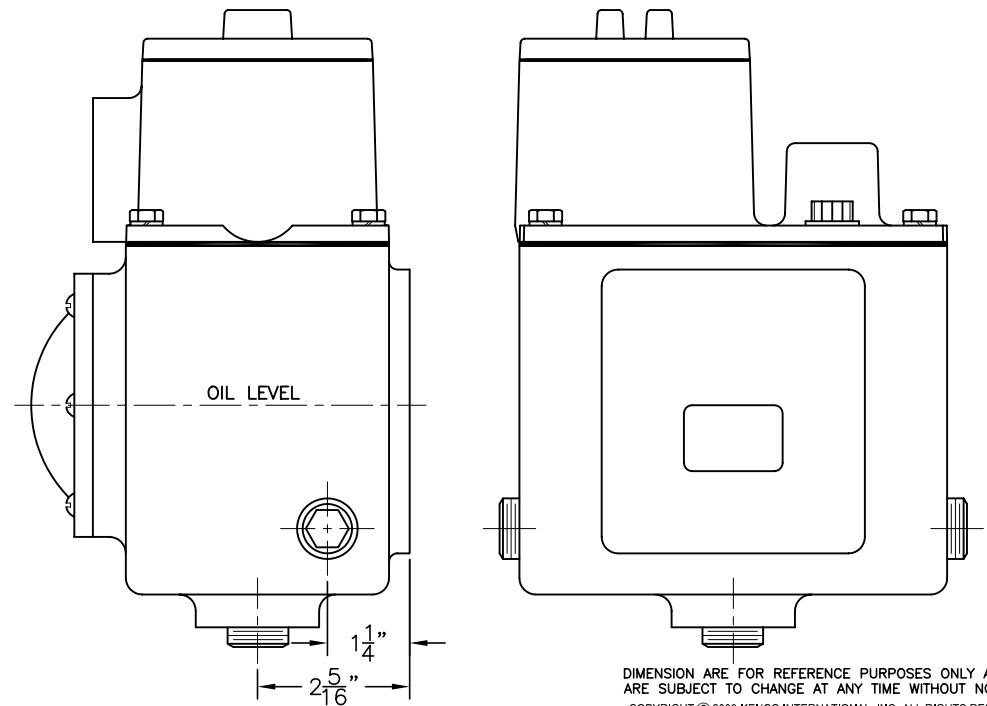
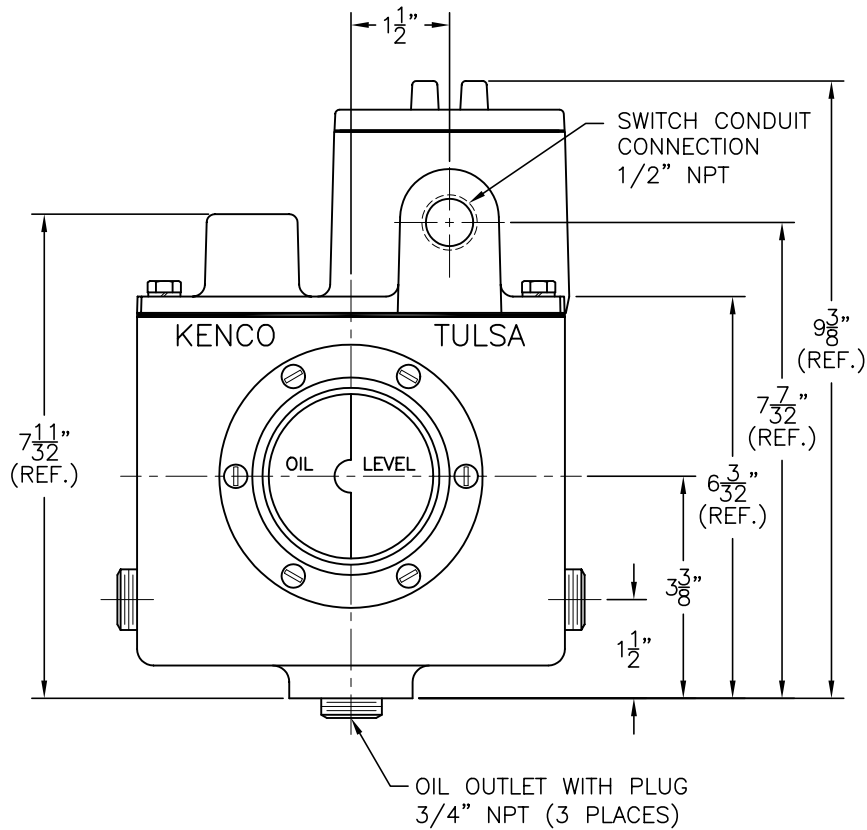


MODEL KES
MODEL KES-DPDT
MODEL KHL-ES
MODEL KHL-ES-DPDT
MODEL KSHL-ES
MODEL KSSL-ES



DIMENSION ARE FOR REFERENCE PURPOSES ONLY AND
 ARE SUBJECT TO CHANGE AT ANY TIME WITHOUT NOTICE.
 COPYRIGHT © 2003-KENCO INTERNATIONAL, INC.-ALL RIGHTS RESERVED

REV.	DATE	BY	ECN	EXPLANATION:	KENCO ENGINEERING COMPANY TULSA, OKLAHOMA
					DATE: 02-03-03 SHEET: 1 OF 1 DRAWING NUMBER
					DRN. BY: DPS CHKD. BY: C-44675
					SCALE: NONE REVISION: