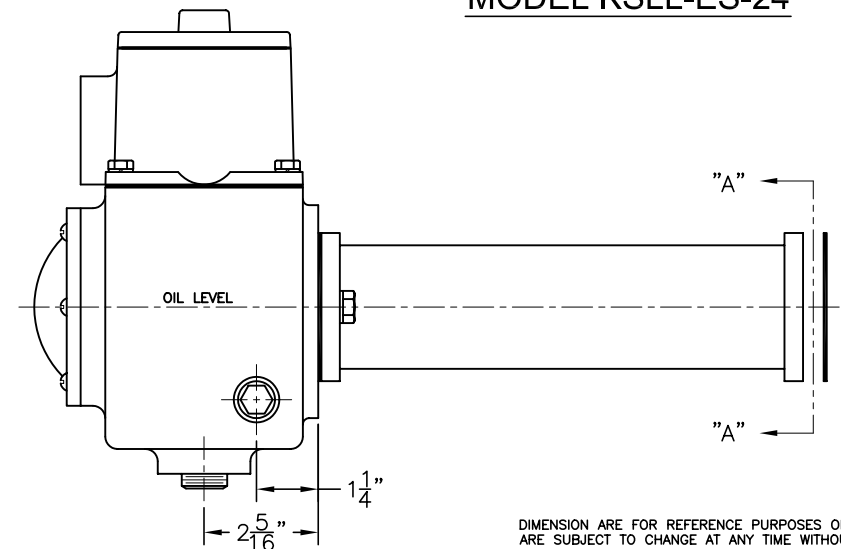
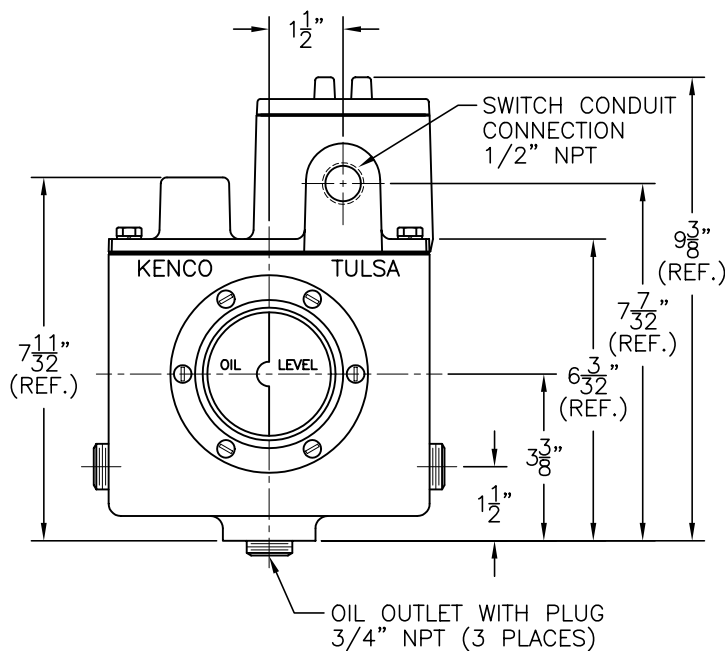


ADAPTER MOUNTING PLATE DETAIL A-A

- MODEL KES-24
- MODEL KES-DPDT-24
- MODEL KHL-ES-24
- MODEL KHL-ES-DPDT-24
- MODEL KSHL-ES-24
- MODEL KSSL-ES-24



DIMENSIONS ARE FOR REFERENCE PURPOSES ONLY AND ARE SUBJECT TO CHANGE AT ANY TIME WITHOUT NOTICE.
COPYRIGHT © 2003-KENCO INTERNATIONAL, INC.-ALL RIGHTS RESERVED

REV.	DATE	BY	ECN	EXPLANATION:	KENCO ENGINEERING COMPANY TULSA, OKLAHOMA
					DATE: 02-03-03 SHEET: 1 OF 1 DRAWING NUMBER
					DRN. BY: DS CHKD. BY: C-44696
					SCALE: NONE REVISION: