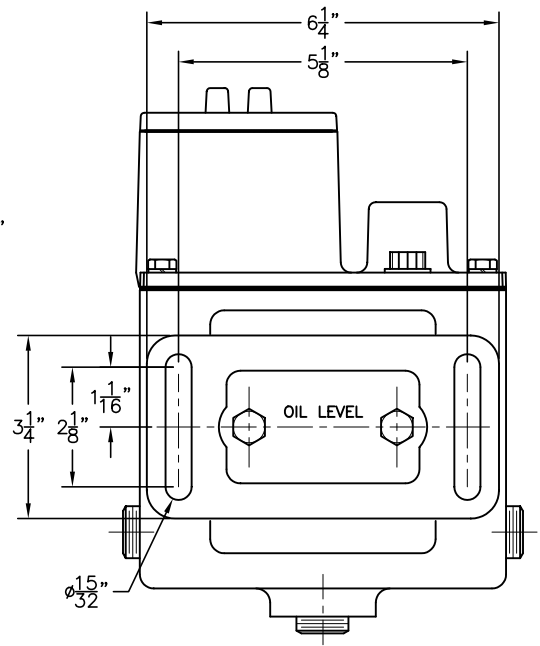
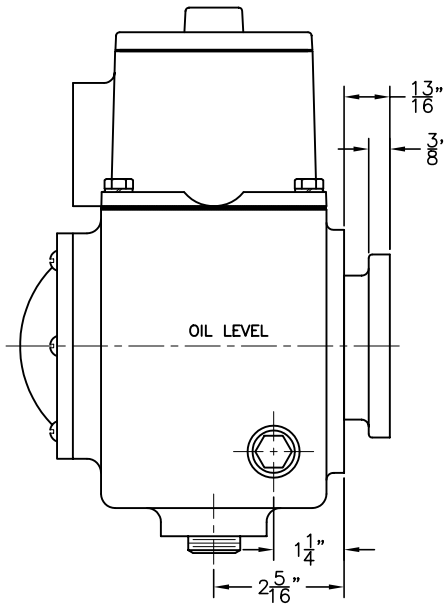
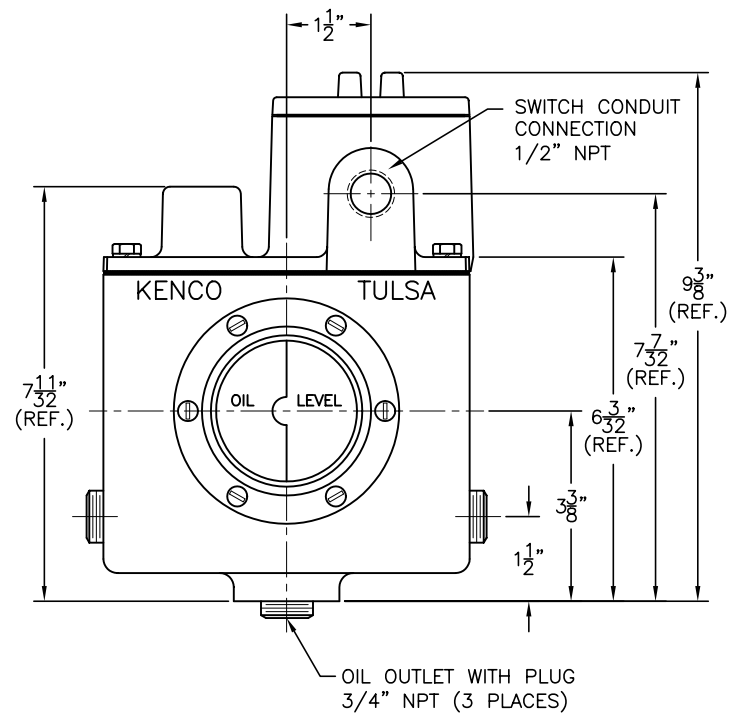


**FIRE SAFE VALVE**

- MODEL 75-FS:  
 A-3/4" NPT  
 B-3/4"  
 C-1-1/2"  
 D-1-3/4"  
 E-3-1/2"  
 F-4-7/16"

- MODEL KES-10-FS
- MODEL KES-DPDT-10-FS
- MODEL KHL-ES-10-FS
- MODEL KHL-ES-DPDT-10-FS
- MODEL KSHL-ES-10-FS
- MODEL KSSL-ES-10-FS



DIMENSIONS ARE FOR REFERENCE PURPOSES ONLY AND ARE SUBJECT TO CHANGE AT ANY TIME WITHOUT NOTICE.  
 COPYRIGHT © 2003 KENCO INTERNATIONAL, INC. ALL RIGHTS RESERVED

REV.	DATE	BY	ECN	EXPLANATION:

**KENCO ENGINEERING COMPANY**  
 TULSA, OKLAHOMA

CONTROLLER, OIL LEVEL WITH MOUNT  
 (OUTLINE DRAWING) MODEL KES-10-FS

DATE: 02-03-03	SHEET: 1 OF 1	DRAWING NUMBER
DRN. BY: DS	CHKD. BY:	C-44806
SCALE: NONE	REVISION:	