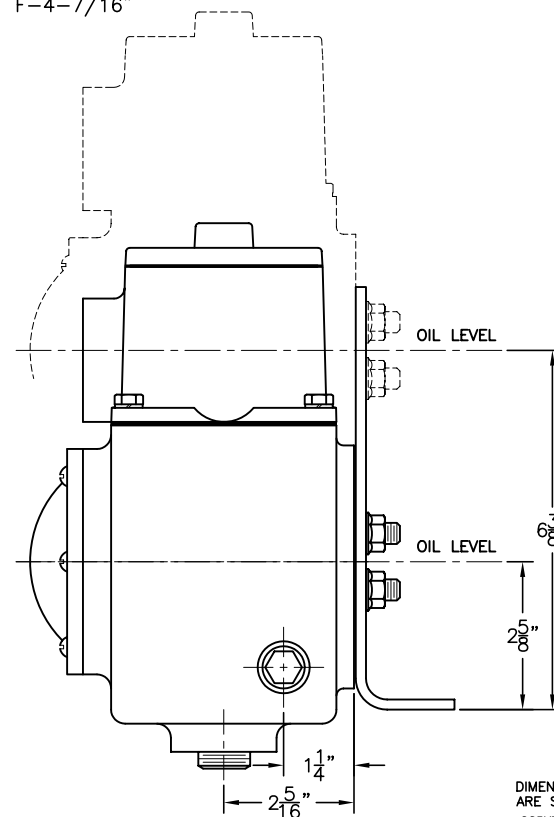
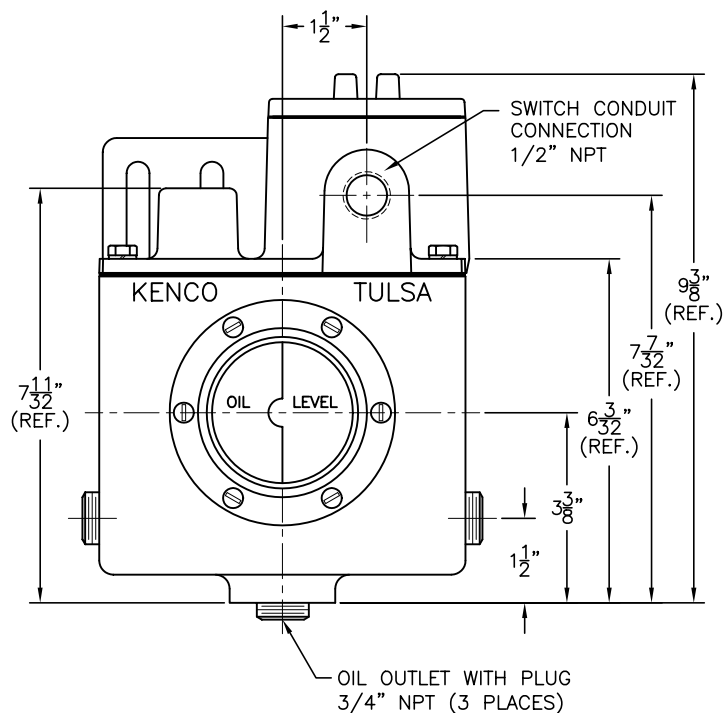


FIRE SAFE VALVE

MODEL 75-FS:

- A-3/4" NPT
- B-3/4"
- C-1-1/2"
- D-1-3/4"
- E-3-1/2"
- F-4-7/16"

- MODEL KES-9-FS
- MODEL KES-DPDT-9-FS
- MODEL KHL-ES-9-FS
- MODEL KHL-ES-DPDT-9-FS
- MODEL KSHL-ES-9-FS
- MODEL KSSL-ES-9-FS



DIMENSION ARE FOR REFERENCE PURPOSES ONLY AND ARE SUBJECT TO CHANGE AT ANY TIME WITHOUT NOTICE.
COPYRIGHT © 2003-KENCO INTERNATIONAL, INC.-ALL RIGHTS RESERVED

REV.	DATE	BY	ECN	EXPLANATION:	KENCO ENGINEERING COMPANY TULSA, OKLAHOMA CONTROLLER, OIL LEVEL WITH MOUNT (OUTLINE DRAWING) MODEL KES-9-FS
DATE: 01-30-03 SHEET: 1 OF 1 DRAWING NUMBER					C-44689
DRN. BY: DS CHKD. BY:					
SCALE: NONE REVISION:					