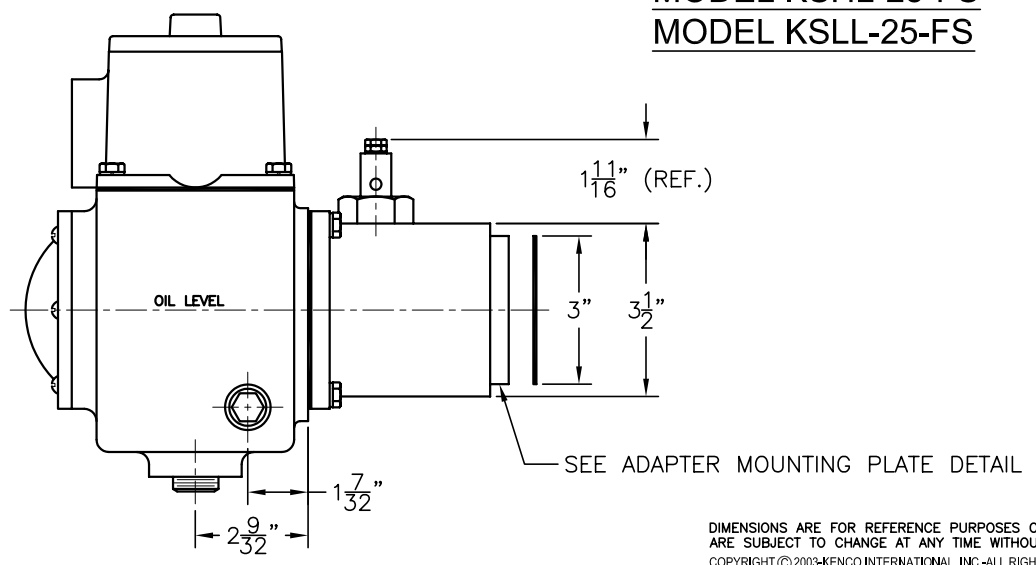
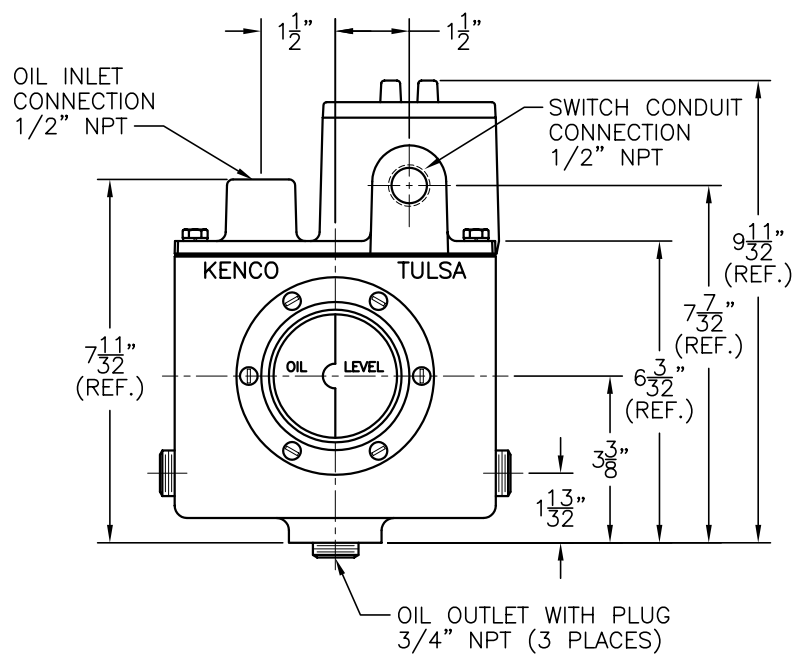


**FIRE SAFE VALVE**  
**MODEL 50-FS:**  
 A=1/2"  
 B=5/8"  
 C=1-1/4"  
 D=1-9/16"  
 E=3-1/8"  
 F=3-7/8"

**ADAPTER MOUNTING PLATE DETAIL**

- MODEL KLCE-25-FS**
- MODEL KLCE-DPDT-25-FS**
- MODEL KHL-25-FS**
- MODEL KHL-DPDT-25-FS**
- MODEL KSHL-25-FS**
- MODEL KSL-25-FS**



DIMENSIONS ARE FOR REFERENCE PURPOSES ONLY AND ARE SUBJECT TO CHANGE AT ANY TIME WITHOUT NOTICE. COPYRIGHT © 2003-KENCO INTERNATIONAL, INC.-ALL RIGHTS RESERVED

**FOR ARIEL CORPORATION COMPRESSORS:**  
**JGU/4, JGU/6, JGZ/4 & JGZ/6**

REV.	DATE	BY	ECN	EXPLANATION:
A	10-21-03	RDM	N/A	4-1/16" (REF.) WAS 3-9/16" (REF.); 1-3/8" (REF.) WAS 1-13/16" (REF.); ADDED 3-1/2" & 1-11/16" (REF.) DIMENSIONS

<b>KENCO ENGINEERING COMPANY</b> TULSA, OKLAHOMA		
CONTROLLER, OIL LEVEL WITH MOUNT (OUTLINE DRAWING) MODEL KLCE-25-FS		
DATE: 10-06-03	SHEET: 1 OF 1	DRAWING NUMBER
DRN. BY: DS	CHKD. BY:	C-45934
SCALE: NONE	REVISION: A	