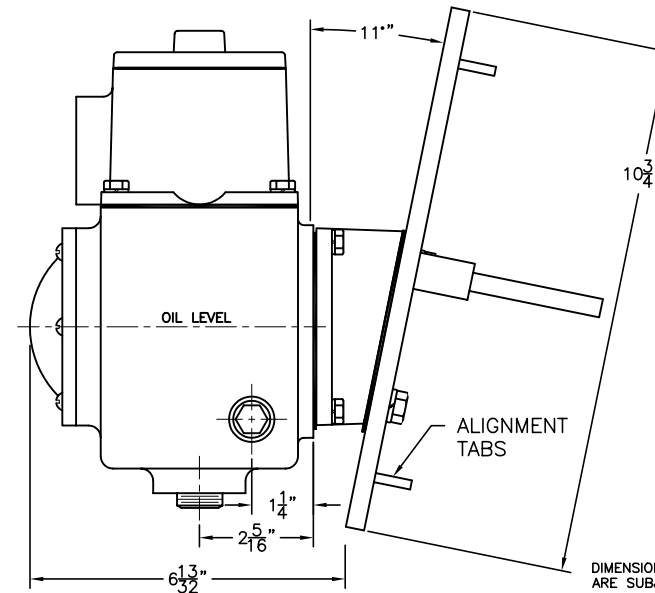
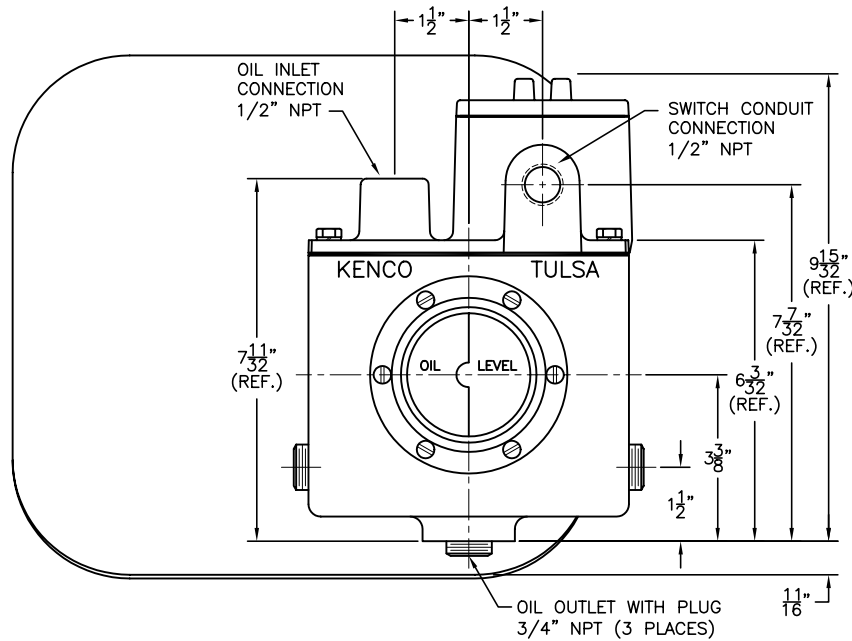
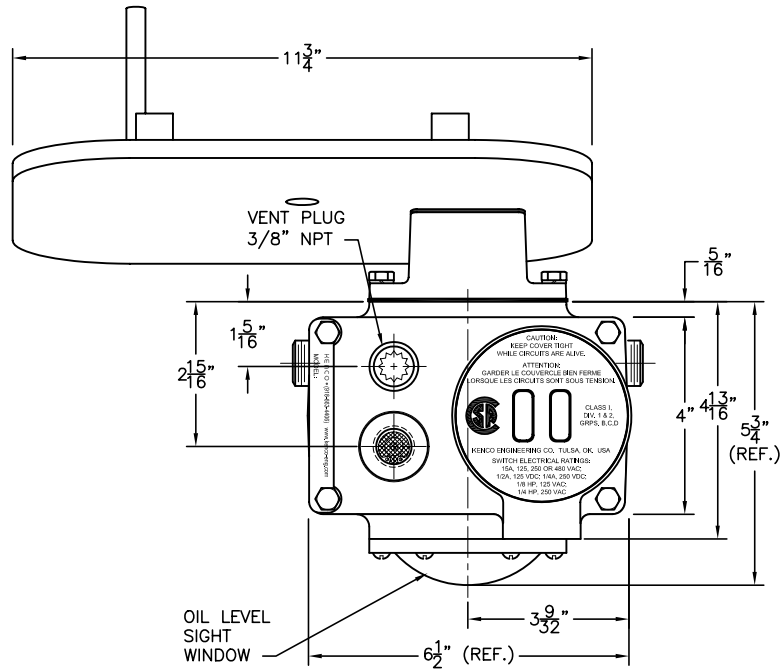


MODEL KLCE-17
MODEL KLCE-DPDT-17
MODEL KHL-17
MODEL KHL-DPDT-17
MODEL KSHL-17
MODEL KSL-17



DIMENSIONS ARE FOR REFERENCE PURPOSES ONLY AND ARE SUBJECT TO CHANGE AT ANY TIME WITHOUT NOTICE.
 COPYRIGHT © 2003-KENCO INTERNATIONAL, INC.-ALL RIGHTS RESERVED

WAUKESHA VHP ENGINES
 F2895, F3251, F5108, L5790, AND L7042
 (Supplied with all mounting hardware/seals)

REV.	DATE	BY	ECN	EXPLANATION:	KENCO ENGINEERING COMPANY TULSA, OKLAHOMA		
					CONTROLLER, OIL LEVEL WITH MOUNT (OUTLINE DRAWING) MODEL KLCE-17		
					DATE: 02-03-03	SHEET: 1 OF 1	DRAWING NUMBER
					DRN. BY: DS	CHKD. BY:	C-44735
					SCALE: NONE	REVISION:	